

SystemOne Flush Sub-Plate

HUBBELL

Features

- Black Powder Coated

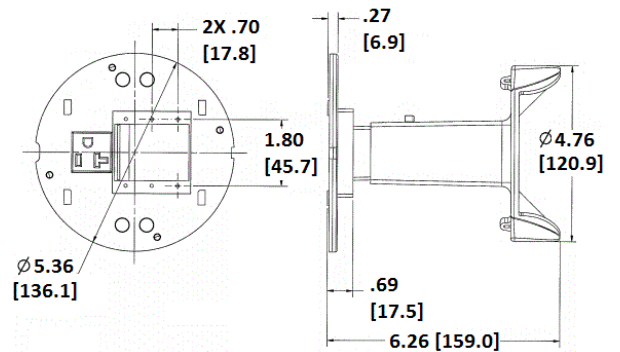
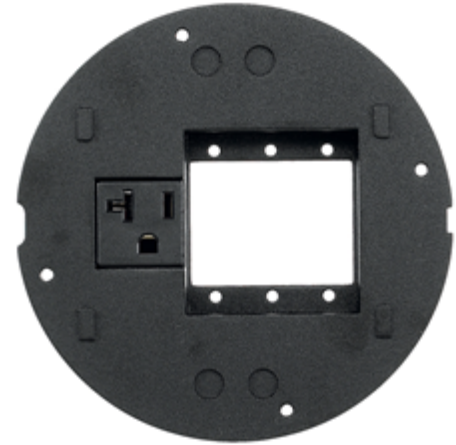
Ordering Information

- Includes necessary mounting hardware

Catalog Number	UPC	Description
S1SPEXT1	783585371269	Sub-plate with opening for 3x Extron MAAP plates and 1x pre-wired 20A receptacle

Standards

cULus Listed



Online Resources

eCatalog