

SystemOne Flush

Sub-Plate

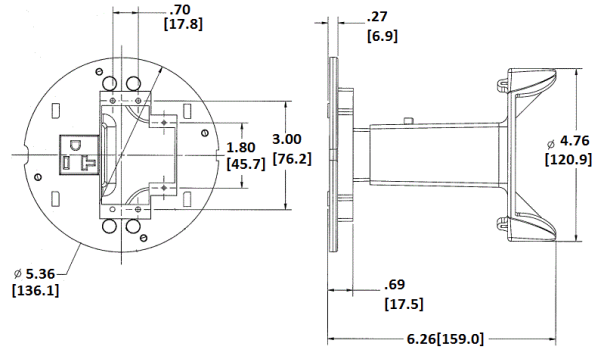
HUBBELL

Features

- Used with automatic receptacle control systems
- Laser marked
- Black Powder Coated

Ordering Information

- Includes necessary mounting hardware



Catalog Number	UPC	Description
S1SPEXT2C	783585545639	Sub-plate with opening for 2x Extron MAAP and 2x Extron APP plates

Standards

cULus Listed

Online Resources

eCatalog