

SystemOne Flush

Sub-Plate

HUBBELL

Features

- Black Powder Coated

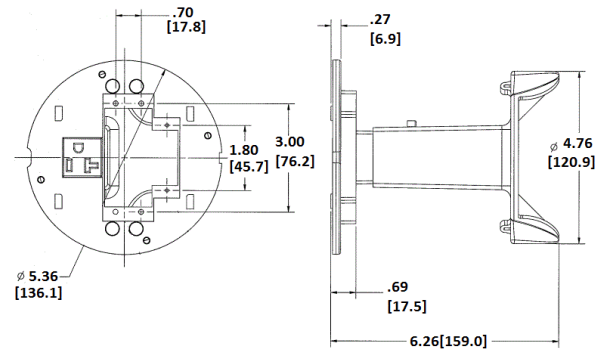
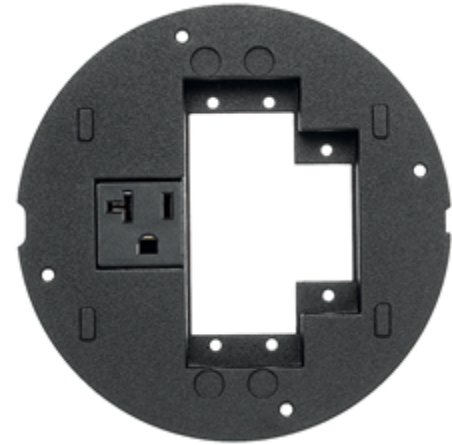
Ordering Information

- Includes necessary mounting hardware

Catalog Number	UPC	Description
S1SPEXT2	783585371276	Sub-plate with opening for 2x Extron MAAP and 1x Extron APP plates and 1x pre-wired 20A receptacle

Standards

cULus Listed



Online Resources

eCatalog