

## SystemOne Flush

### Sub-Plate

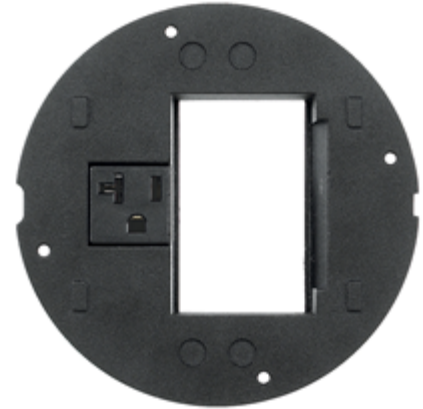
# HUBBELL

#### Features

- Black Powder Coated

#### Ordering Information

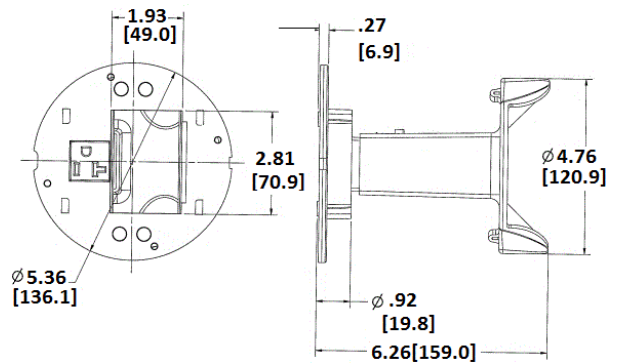
- Includes necessary mounting hardware



Catalog Number	UPC	Description
S1SPORT	783585371238	Sub-plate with opening for 3x 1(U) Ortronics Series II modules and 1x pre-wired 20A receptacle

#### Standards

cULus Listed



#### Online Resources

eCatalog