

SystemOne Flush Sub-Plate

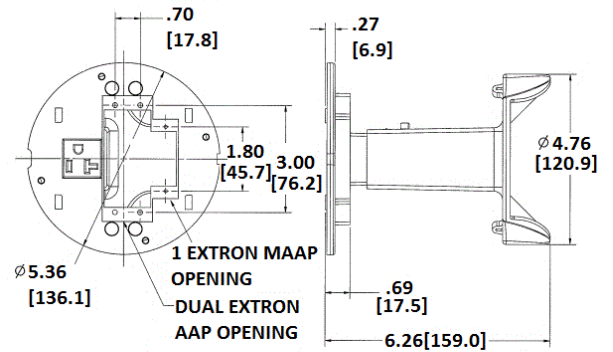


Features

- Used with automatic receptacle control systems
- Laser marked
- Black Powder Coated

Ordering Information

- Includes necessary mounting hardware



Catalog Number	UPC	Description
S1SPTRACC	783585545660	Sub-plate with opening for 6x Ortronics TracJack modules and 1x 20A pre-wired receptacle

Standards

cULus Listed

Online Resources

eCatalog