

- Third Party Verified Category 6A Component Compliant
- Precision & Reliable Tool-Less Termination
- True 10GBASE-T Application Assurance.
- Bulk Packaging Reduces Excess Waste on the Job

Features

- Paired IDC with inverse angles provide superior NEXT Properties.
- Superior Strain Relief - Locking cap ensures termination retention during installation
- Tool-Less Termination Cap allows cable to maintain optimized performance.

Ordering Information

Description	Color	UPC #	Catalog No.
Cat 6A Shielded Keystone RJ45 Jack, Tool-less Termination	Metal Zinc	662620228921	SJ6A24B

Listings

ANSI/TIA/EIA-568-C.2 category 6A component
 ISO 11801/60603-7 Category 6A component
 IEE 802.3an 10 Gigabit Ethernet Transmission
 IEE 802.3at PoE+ Power over Ethernet
 ISO/IEC 11801 and EN50173 second edition requirements for transfer impedance and shield effectiveness
 Mechanical TIA-568-C.2
 UL Listed 1863

Specifications

Nose Contact	Phosphorus Bronze with precious metal plating with nickel under-plating
IDC Contact	Phosphor bronze with 100 micro-inch tin lead 60/40 plating over nickel under plating
Housing	Zinc Die-Cast
Wiring Type	T568B

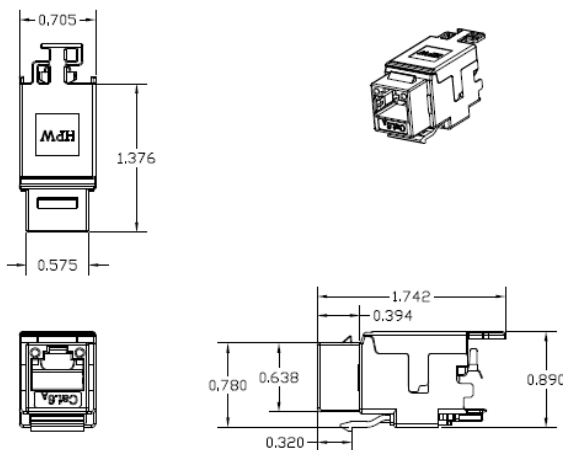
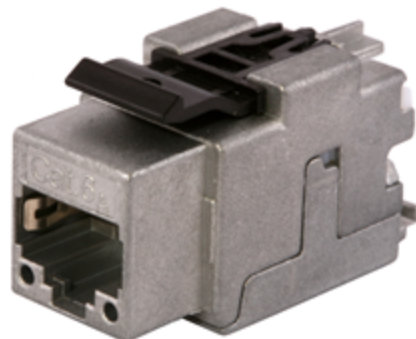
Performance

Application
 10GBASE-T (10-Gigabit Ethernet)
 10/100/1000BASE-T

Electrical
 NEXT margin over TIA 568-C.2 component at 500MHZ
 Balanced to Category 6A plug specifications
 Designed and tested for 850mA of continuous current per conductor (1.7A per pair).

Mechanical
 Contact performance confirmed over the full range of ISO/FCC compliant plug dimensions
 Nose contact mating cycles RJ45:750+
 IDC contact termination: 10X
 Keystone latching force: 25 lbs.

Miscellaneous
 Cable Solid: 0.40-0.65 mm / AWG 26/1-22/1
 Cable Stranded: 0.46-0.61 mm / AWG 27/7-24/7
 Backward Compatible to Category 6, & 5e
 100% factory tested.



Accessories

Dust Cover	IDCSB
Patch Panel	PSJ24BK

Resources

Customer Drawings
 eCatalog
 Specification Text Division 17