

Stainless Steel Wall Mount Phone Plates

Features

- Studs Accommodate Any Standard Wall Phone
- Comes With Keystone Jack
- Manufactured From Type 430 Stainless Steel, Brush Finish

Ordering Information

Description	Color	Catalog No.	UPC
iStation Stainless Steel Wall Mount Phone Plate, Single Gang, Flush Jack	Gray	SP5EF	662620553849

Listings

UL and cUL Listed 1863
ANSI/TIA/EIA-568-C.2 Category 5E component
ISO 11801/60603-7-41 Category 5E component
Mechanical: Verified to TIA-568-C.2
Mechanical TIA-568-C.2
RoHS Compliant

Specifications

Nose Contact	Beryllium copper with precious metal plating with nickel under-plating
IDC Contact	Phosphor bronze with 100 micro-inch tin lead 60/40 plating over nickel under plating
Jack Housing	High-impact thermoplastic (UL 94V-0)
Stuffer Cap	Lexan® (UL 94 V-0)

Performance

Electrical

Exceeds component requirements by a minimum of 3dB
Positive PSACR beyond 190 MHz (channel)
Center balanced to Category 5E plug specifications
Qualified to 150% of 802.3bt PoE Current Level

General Information

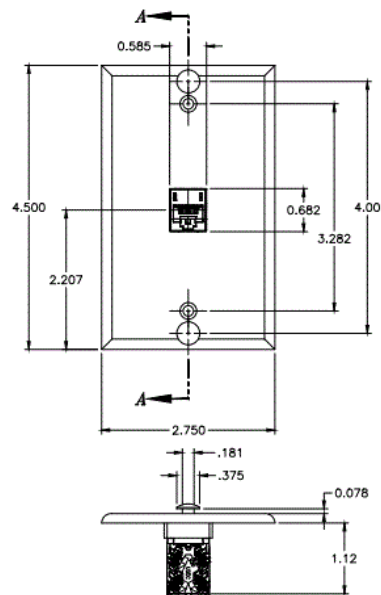
Backward compatible to lower installed Categories
100% factory tested

Mechanical

Nose Contact Mating Cycles: 2000
IDC Contact Termination: 10x
Keystone Latching Force: 25 lbs.

Applications

IEEE 802.3ab 1000GBASE-T
IEEE 802.3bt 4PPoE Power over Ethernet



Accessories

1-Punch Tool	TX4P
Category 5E Patch Cord	HC5EB03
Dust Cover	HXJDC25
Termination Puck	HXTP25
Category 5E Cable	C5ESPB

Online Resources

eCatalog