

## Stainless Steel Wall Mount Phone Plates

### Features

- Studs Accommodate Any Standard Wall Phone
- Comes With Keystone Jack
- Manufactured From Type 430 Stainless Steel, Brush Finish

### Ordering Information

Description	Color	Catalog No.	UPC
iStation Stainless Steel Wall Mount Phone Plate, Single Gang, Recessed Jack	Gray	SP5ER	662620553856

### Listings

UL and cUL Listed 1863  
ANSI/TIA/EIA-568-C.2 Category 5E component  
ISO 11801/60603-7-41 Category 5E component  
Mechanical: Verified to TIA-568-C.2  
Mechanical TIA-568-C.2  
RoHS Compliant

### Specifications

Nose Contact	Beryllium copper with precious metal plating with nickel under-plating
IDC Contact	Phosphor bronze with 100 micro-inch tin lead 60/40 plating over nickel under plating
Jack Housing	High-impact thermoplastic (UL 94V-0)
Stuffer Cap	Lexan® (UL 94 V-0)

### Performance

#### Electrical

Exceeds component requirements by a minimum of 3dB  
Positive PSACR beyond 190 MHz (channel)  
Center balanced to Category 5E plug specifications  
Qualified to 150% of 802.3bt PoE Current Level

#### General Information

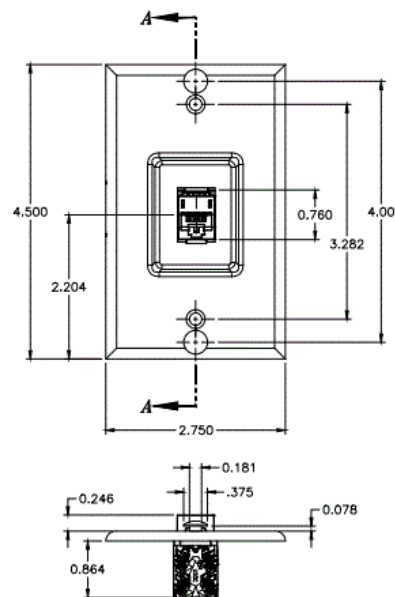
Backward compatible to lower installed Categories  
100% factory tested

#### Mechanical

Nose Contact Mating Cycles: 2000  
IDC Contact Termination: 10x  
Keystone Latching Force: 25 lbs.

### Applications

IEEE 802.3ab 100GBASE-T  
IEEE 802.3bt 4PPoE Power over Ethernet



### Accessories

1-Punch Tool	TX4P
Category 5E Patch Cord	HC5EB03
Dust Cover	HXJDC25
Termination Puck	HXTP25
Category 5E Cable	C5ESPB

### Online Resources

eCatalog