

# iStation Phone Plates

# HUBBELL

## Stainless Steel Wall Mount Phone Plates

### Features

- Studs Accommodate Any Standard Wall Phone
- Comes With Keystone Jack
- Manufactured From Type 430 Stainless Steel, Brush Finish

### Ordering Information

Description	Color	Catalog No.	UPC
iStation Stainless Steel Wall Mount Phone Plate, Single Gang, Flush Jack	Gray	SP6F	662620553863

### Listings

UL and cUL Listed 1863  
ANSI/TIA/EIA-568-C.2 Category 6 component  
ISO 11801/60603-7-41 Category 6 component  
Mechanical: Verified to TIA-568-C.2  
Mechanical TIA-568-C.2  
RoHS Compliant

### Specifications

Nose Contact	Beryllium copper with precious metal plating over nickel under plating
IDC Contact	Phosphor bronze with 100 micro-inch tin lead 60/40 plating over nickel under plating
Jack Housing	High-impact thermoplastic (UL 94V-0)
Stuffer Cap	Lexan® (UL 94 V-0)

### Performance

#### Electrical

Center balanced to Category 6 plug specifications  
Positive PSACR beyond 300 MHz (channel)  
4+Gbs capacity within the bandwidth of 1-250MHz (channel)  
Qualified to 150% of 802.3bt PoE Current Level

#### General Information

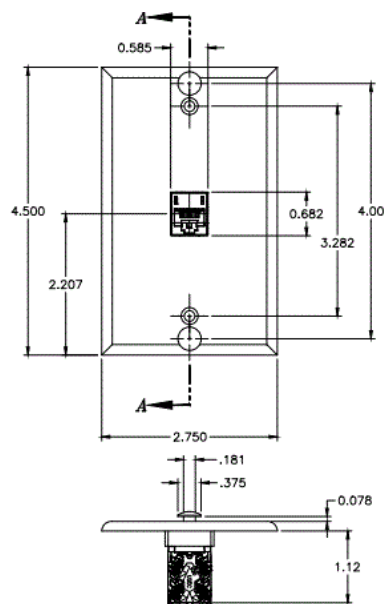
Backward compatible to lower installed Categories  
100% factory tested

#### Mechanical

Nose Contact Mating Cycles: 2000  
IDC Contact Termination: 10x  
Keystone Latching Force: 25 lbs.

### Applications

IEEE 802.3ab 1000GBASE-T  
IEEE 802.3bt 4PPoE Power over Ethernet  
TIA TSB-155 10GbE Over 55 Meters



### Accessories

1-Punch Tool	TX4P
Category 6 Patch Cord	HC6GN03
Dust Cover	HXJDC25
Ascent Termination Puck	HXTP25
Category 6 Cable	C6SPB

### Online Resources

eCatalog

