

**iStation
Wallplates**

HUBBELL

Stainless Steel Plate with Label Fields, Rear Loading

Features

- Fits all Hubbell keystone connections (AV, data and fiber)
- Secure; Requires removal to access connectivity
- Rear, Flush Mounting Improves Tamper-Resistance
- Manufactured From Type 430 Stainless Steel, Brushed Finish

Ordering Information

Description	Color	Catalog No.	UPC
iStation Stainless Steel Plate with Label Fields, Rear Loading, Double Gang, 2-Port	Silver	SSFL12	662620846217

Listings

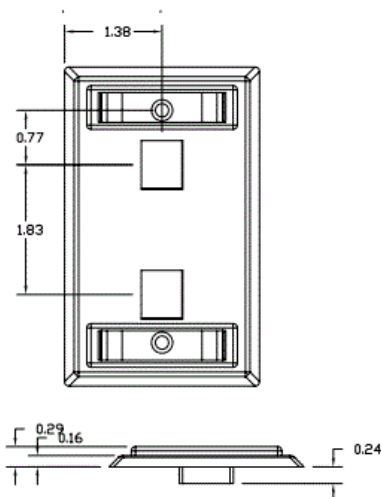
UL and cUL Listed 1863
RoHS Compliant

Specifications

Keystone	Fits all Hubbell keystone connections (AV, data and fiber)
Plate Material	Type 430 stainless steel

Applications

Medical Facilities
Laboratories
Manufacturing Plants
Education Facilities



Online Resources

[eCatalog](#)