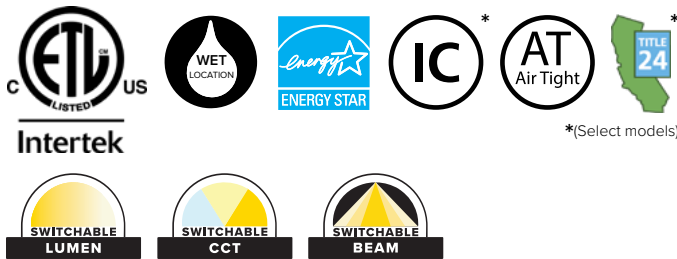


LBRP-RD

PRO CANLESS DIRECT INSTALL DOWNLIGHT

FEATURES

- 4", 6" and 8" apertures, delivering 800 to 5000 lumens
- Spun aluminum anodized or white trim, 55 deg cutoff
- Switchable Lumen, CCT, and Beam Angle
- Integral wiring compartment (standard)
- Optional support pans for Joist or T-Grid ceilings
- Universal 120-277V with 0-10V Dim to Off
- Long Life L70 at >50,000 hrs (TM-21)
- Five year warranty



LITEBOX[®] pro



RELATED PRODUCTS

[LiteBox Family](#)

SERVICE PROGRAMS



SPECIFICATIONS

CONSTRUCTION

- Canless direct install New Construction or Remodel, Non-IC. Select IC models available.
- Integral wiring compartment (standard) can eliminate the need for an additional J-Box
- Retention tether provided to secure to building structure if needed
- Fixture modules can be used with interchangeable trims in 3 apertures

OPTICS

- High quality spun aluminum reflector with 55° cutoff provides excellent lumen delivery while reducing glare
- Optional White Cone and Flange or Diffuse Anodized Cone and White flange available
- Optical assembly standard with dial-in beam angle from 24° to 45° with indicators
- Polycarbonate lensed optic, suitable for wet location, covered ceiling applications

ELECTRICAL

- LED array with 3 SDCM color consistency
- Long LED life: Maintains 70% of lumen output at >50,000 hours of operation (L70 at >50,000hr TM-21)
- Switchable CCT (2700K, 3000K, 3500K, 4000K, 5000K) (SL and ML modules only)
- HL modules: Choose from 5 fixed CCTs in 2700K, 3000K, 3500K, 4000K or 5000K
- 90 CRI+ with R9 >50

ELECTRICAL (CONTINUED)

- Switchable Lumen, 3 settings per module: SL (800/1200/1600 lm); ML (1600/1800/2100 lm); HL (3000/4000/5000 lm)
- High efficiency integral driver with universal 120-277V, 50/60Hz
- Flicker-free 0-10V Dim to Off
- See Additional Information section for a list of recommended dimmers
- Meets Class A (<24dba) noise rating
- FCC CFR 47 Part 15 Class B
- ≥ 0.9 Power Factor, <20% THD

INSTALLATION

- Robust trim mounting springs hold fixture firmly against ceiling surface
- Accommodates ceiling thicknesses up to 2"
- Fixture installs below the ceiling without a housing
- Optional support pan accessories with or without bar hangers available
- Switchable CCT: Field select one of five CCTs at installation with an integral switch on back of fixture module. (SL and ML only)
- Switchable Lumen: Field select one of three lumen outputs at installation with an integral switch on back of fixture module.
- Switchable Beam: Field adjust beam angle using optical dial and indicator on module

CERTIFICATIONS

- cETLus listed to UL1598
- Can be used in direct contact with insulation (IC Rated, SL Only)
- Certified Air Tight per ASTM E283
- Suitable for wet locations, covered ceilings
- ENERGY STAR® Certified
- SL modules meet CA Title 24 High Efficacy (JA8-2019) requirements

WARRANTY

- 5 year warranty
- See [HLI Standard Warranty](#) for additional information

KEY DATA	
Lumen Range	832–4915
Wattage Range	9.6–54.9
Efficacy Range (LPW)	72–100
Reported Life (Hours)	L70 / >50,000
Input Current (mA)	125–219 (120V)

Based on Diffuse Anodized 3000K, 90 CRI

LBRP-RD

PRO CANLESS DIRECT INSTALL DOWNLIGHT



Click icon for Stock list and details

ORDERING GUIDE

Example: LBRP-M-LSSLCS9 / LBRP-4RD-T-D

CATALOG #

HOUSING

LBRP-M	LS					
Model/Type	Switchable Technology	Nominal Lumen Range		CCT/CRI		
LBRP-M Fixture Module, Round Direct Install, 120-277V with 0-10V Dim to Off	LS Switchable Lumen	SL 800/1200/1600 lumens ML 1600/1800/2100 lumens	CS9 Switchable CCT (2700/3000/3500/4000/5000K), 90 CRI			
			HL 3000/4000/5000 lumens ¹		27K9 2700K, 90 CRI	30K9 3000K, 90 CRI
				35K9 3500K, 90 CRI	40K9 4000K, 90 CRI	50K9 5000K, 90 CRI

TRIM (ORDER SEPARATELY)

LBRP		T	
Model	Aperture/Shape/Function	Trim	Reflector Finish/Color
LBRP LiteBox Pro Trim	4RD 4" Round Downlight ¹ 6RD 6" Round Downlight 8RD 8" Round Downlight	T Trim	D Diffuse Clear Anodized WC White Cone and Flange DWT Diffuse Clear Anodized with White Flange

Notes:
 1 4" Trim for use only with SL or ML Module.

Accessories (Order separately)

- LB-4R-F-TG** Accessory, Pan w/Bar Hangers for T-Grid/Joist, 4" Round
- LB-4R-F-J** Accessory, Pan Support for Joist, 4" Round

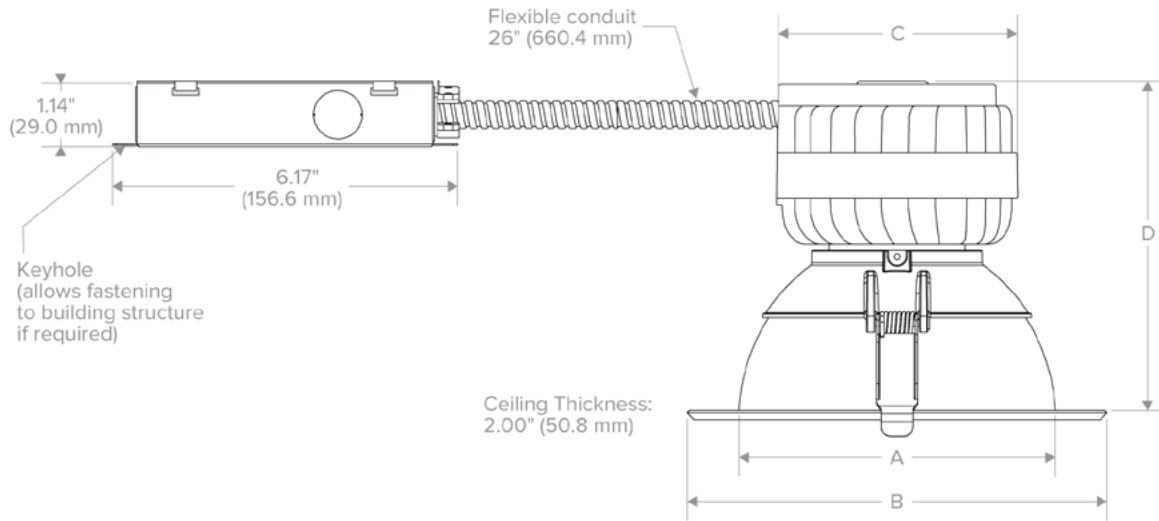
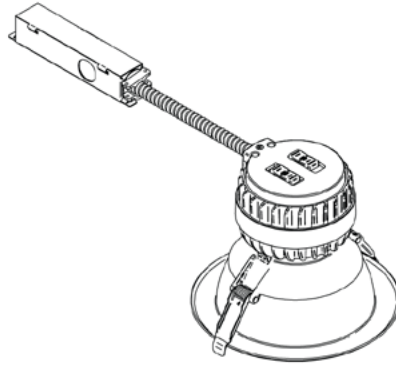
- LB-6R-F-TG** Accessory, w/Bar Hangers for T-Grid/Joist, 6" Round
- LB-6R-F-J** Accessory, Pan Support for Joist, 6" Round

- LB-8R-F-TG** Accessory, w/Bar Hangers for T-Grid/Joist, 8" Round
- LB-8R-F-J** Accessory, Pan Support for Joist, 8" Round

LBRP-RD

PRO CANLESS DIRECT INSTALL DOWNLIGHT

DIMENSIONS



Aperture	Ceiling Cutout Min.-Max.
4"	Ø4.72"-5.46" (Ø119.9-138.7mm)
6"	Ø6.30"-7.01" (Ø160.0-180.3mm)
8"	Ø7.87"-8.74" (Ø199.9-222.0mm)

Nominal Aperture	Module Lumen Package	A Aperture Diameter	B Overall Trim Diameter	C Overall Module Heat Sink	D Overall Height (Assembled)
4"	SL-ML	4.15" (105.4 mm)	6.00" (152.4 mm)	4.35" (110.5 mm)	5.35" (135.9 mm)
6"	SL-ML	5.65" (143.6 mm)	7.50" (190.4 mm)	4.35" (110.5 mm)	5.85" (148.6 mm)
	HL	5.65" (143.6 mm)	7.50" (190.4 mm)	5.55" (140.9 mm)	5.85" (148.6 mm)
8"	SL-ML	7.25" (184.2 mm)	9.10" (231.1 mm)	4.35" (110.5 mm)	6.65" (168.9 mm)
	HL	7.25" (184.2 mm)	9.10" (231.1 mm)	5.55" (140.9 mm)	6.65" (168.9 mm)

LBRP-RD

PRO CANLESS DIRECT INSTALL DOWNLIGHT

PERFORMANCE DATA TABLE

Lumen Module	Switchable Lumen Setting	Nominal Lumens	4"			6"			8"		
			Delivered Lumens	Watts	LPW	Delivered Lumens	Watts	LPW	Delivered Lumens	Watts	LPW
SL	Low	800	832	9.6	87	880	9.6	92	849	9.6	88
	Med	1200	1174	14.1	83	1243	14.1	88	1198	14.1	85
	High	1600	1560	19.6	79	1649	19.6	84	1592	19.6	81
ML	Low	1600	1578	20.1	78	1668	20.1	83	1610	20.1	80
	Med	1800	1808	23.9	76	1912	23.9	80	1845	23.9	77
	High	2100	2134	29.7	72	2257	29.7	76	2178	29.7	73
HL	Low	3000	NA	NA	NA	3142	31.6	100	3033	31.6	96
	Med	4000	NA	NA	NA	3953	41.0	97	3815	41.0	93
	High	5000	NA	NA	NA	4915	54.9	90	4744	54.9	86

LBRP-RD

PRO CANLESS DIRECT INSTALL DOWNLIGHT

PHOTOMETRY

LBRP-M-LSSLCS9 / LBRP-4RD-T-D

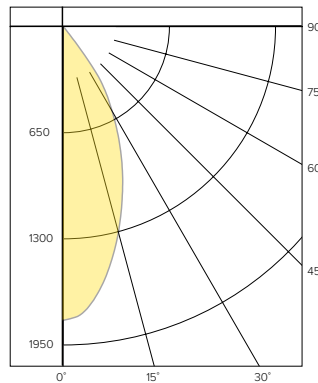
LUMINAIRE DATA

Test No.	21.01863
Description	4" LSSL, Med Lumen, @3000K, 45° Beam
Delivered Lumens	1174
Watts	14.1W
Efficacy	83
Mounting	Recessed
Spacing Criterion	0.7

ZONAL LUMEN SUMMARY

Zone	Lumens	% Luminaire
0-40	1138	96.9
0-60	1170	99.7
0-90	1174	100.0
0-180	1174	100.0

POLAR GRAPH



CANDELA DISTRIBUTION

Degree	Candela
0	1803
5	1736
15	1318
25	844
35	408
45	27
55	8
65	3
75	1
85	0
90	0

LUMINANCE DATA*

Vertical Angle	Average
45°	4710
55°	1720
65°	876
75°	477
85°	0

*Candela/Square Meter

LBRP-M-LSSLCS9 / LBRP-6RD-T-D

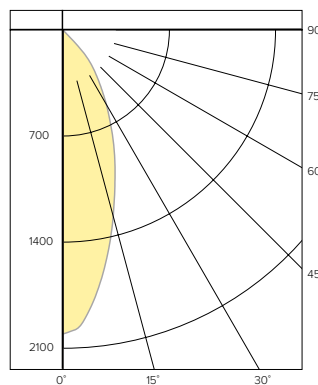
LUMINAIRE DATA

Test No.	21.02002
Description	6" LSSL, Med Lumen, @3000K, 45° Beam
Delivered Lumens	1243
Watts	14.1W
Efficacy	88
Mounting	Recessed
Spacing Criterion	0.6

ZONAL LUMEN SUMMARY

Zone	Lumens	% Luminaire
0-40	1155	93.0
0-60	1239	99.7
0-90	1243	100.0
0-180	1243	100.0

POLAR GRAPH



CANDELA DISTRIBUTION

Degree	Candela
0	2008
5	1884
15	1288
25	787
35	422
45	51
55	4
65	2
75	1
85	1
90	0

LUMINANCE DATA*

Vertical Angle	Average
45°	4705
55°	455
65°	309
75°	252
85°	749

*Candela/Square Meter

LBRP-M-LSSLCS9 / LBRP-8RD-T-D

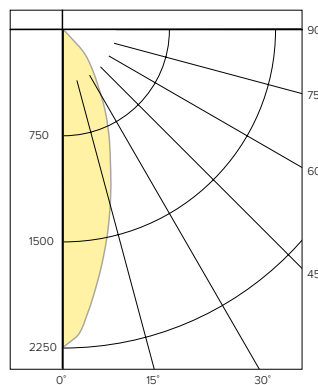
LUMINAIRE DATA

Test No.	21.01864
Description	8" LSSL, Med Lumen @3000K, 45° Beam
Delivered Lumens	1198
Watts	14.1W
Efficacy	85
Mounting	Recessed
Spacing Criterion	0.6

ZONAL LUMEN SUMMARY

Zone	Lumens	% Luminaire
0-40	1122	93.6
0-60	1197	99.9
0-90	1198	100.0
0-180	1198	100.0

POLAR GRAPH



CANDELA DISTRIBUTION

Degree	Candela
0	2245
5	2011
15	1289
25	748
35	382
45	38
55	2
65	1
75	0
85	0
90	0

LUMINANCE DATA*

Vertical Angle	Average
45°	2018
55°	131
65°	89
75°	0
85°	0

*Candela/Square Meter

LUMEN MULTIPLIER

Option	27K, 90 CRI	30K, 90 CRI	35K, 90 CRI	40K, 90 CRI	50K, 90 CRI
Multiplier	0.99	1.00	1.04	1.05	1.09

Photometrics above are published at nominal 3000K, 90 CRI. This table may be used to approximate the lumen values at different Kelvin temperature settings. Power consumption remains the same.

LBRP-RD

PRO CANLESS DIRECT INSTALL DOWNLIGHT

DATE: _____ LOCATION: _____

TYPE: _____ PROJECT: _____

CATALOG #: _____

ADDITIONAL INFORMATION

Dimming Compatibility

See the [DIMMING link](#) for more information on dimming compatibility and recommended dimmer list.