



Description:

Two-light Indoor/Outdoor fan light kit with universal style. Classic old world styling, the Ashmore Collection features a seeded water glass diffuser to reduce glare and to minimize cleaning requirements. Antique Bronze finish corresponds with an Antique Brass pull chain and walnut fob. Quick connect wiring available with fans that accept an accessory light. Includes two 3000K, 800 lumen each (source), Title 24 certified LED bulbs.

Specifications:

- Frosted Seeded glass Bowl
- Frosted seeded glass bowl to reduce glare.
- Antique Bronze finish.
- Universal styling good with any indoor/outdoor progress fan that accept an accessory light.
- Antique Brass pull chain w/ walnut fob.
- Quick-connect wiring to any progress fan that accept an accessory light.
- Includes two 3000K, 800 lumen each (source), Title 24 certified LED bulbs
- Energy Star Qualified
- Meets California T24 JA8-2016.
- Fully dimmable with dimmable bulbs.
- 6 in of wire supplied

Performance:

Number of Lamps	2
Input Power	9 W
Input Voltage	120 V
Input Frequency	60 Hz
Lumens/LPW (Source)	800/88 (LM-82)
CCT	3000 K
CRI	90 CRI
Life (hours)	25000 (L70/TM-21)
EMI/RFI	Title 24
Max. Operating Temp	40 °C
Warranty	1-year Limited Warranty
Labels	UL Damp Location Listed
	ENERGY STAR® qualified
	Meets California Title 24 JA8-2016

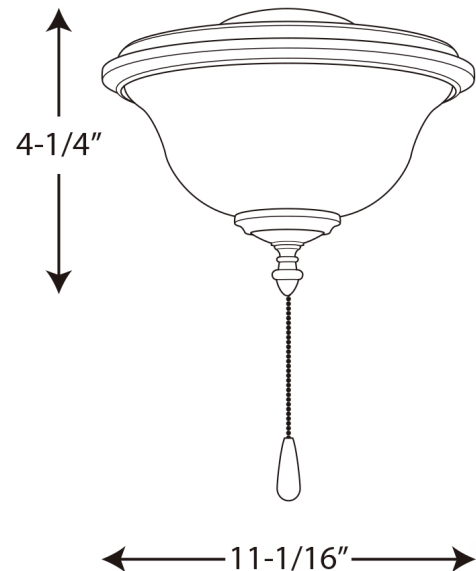
P2636-20WB



Dimensions:

Diameter: 11 in
 Height: 8-1/4 in

Frosted Seeded glass Bowl
 Width: 10-1/8 in
 Height: 3-3/4 in





Dimming Notes:

P2636-20WB is designed to be compatible with many ELV/Reverse Phase controls.

The following is a partial list of known compatible dimmer controls.

Dimming Controls:

Lutron_Diva DVELV-300P

Lutron_Nova T NTELV-300

Lutron_Maestro MAELV-600

Dimming capabilities will vary depending on the dimmer control, load, and circuit installation.

Always refer to dimmer manufacturer instructions or a controls specialist for specific requirements.

Dimmer control brand names where identified above are trade names or registered trademarks of each respective company.

P2636-20WB