

North Park Universal -use with any indoor fan with 1/8" IPS light kit adapter • Dry Location Listed



Description:

Fan Light Kit with handsome, squared escutcheon and finial which support etched glass to provide a softly diffused lighting effect. Convenient universal style comes with quick-connect wiring. Finials included are -09 Brushed Nickel, and -20 Antique Bronze. Includes two 3000K, 800 lumen each (source), Title 24 certified LED bulbs.

Specifications:

- Etched glass square bowl
- Add style and light to your ceiling fan with this universal fan light kit.
- White, squared escutcheon and finial support etched glass.
- Finials included are -09 Brushed Nickel, and -20 Antique Bronze.
- Quick-connect wiring to any progress fan that accept an accessory light.
- Ideal for bedroom, den or kitchen lighting.
- Includes two 3000K, 800 lumen each (source), Title 24 certified LED bulbs
- Energy Star Qualified
- Meets California T24 JA8-2016.
- Fully dimmable with dimmable bulbs.
- 6 in of wire supplied

Performance:

Number of Lamps	2
Input Power	9 W
Input Voltage	120 V
Input Frequency	60 Hz
Lumens/LPW (Source)	800/88 (LM-82)
CCT	3000 K
CRI	90 CRI
Life (hours)	25000 (L70/TM-21)
EMI/RFI	Title 24
Max. Operating Temp	40 °C
Warranty	1-year Limited Warranty
Labels	UL Dry Location Listed
	ENERGY STAR® qualified
	Meets California Title 24 JA8-2016

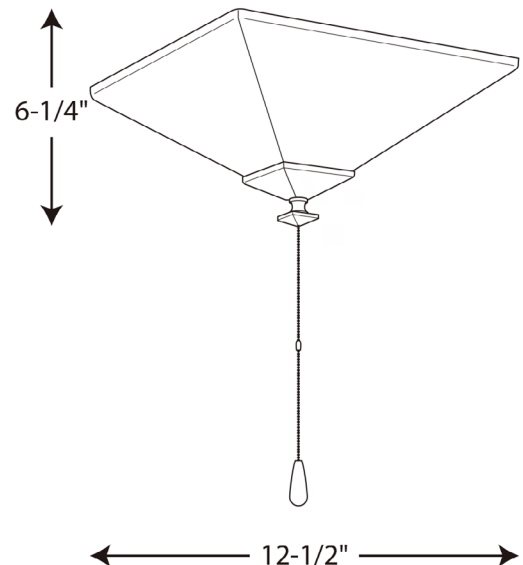
P2654-01WB



Dimensions:

Diameter: 12-1/2 in
Height: 6-1/4 in

Etched glass square bowl
Width: 12-1/2 in
Height: 4-1/4 in



**Dimming Notes:**

P2654-01WB is designed to be compatible with many ELV/Reverse Phase controls.

The following is a partial list of known compatible dimmer controls.

Dimming Controls:

Lutron_Diva DVELV-300P

Lutron_Nova T NTELV-300

Lutron_Maestro MAELV-600

Dimming capabilities will vary depending on the dimmer control, load, and circuit installation.

Always refer to dimmer manufacturer instructions or a controls specialist for specific requirements.

Dimmer control brand names where identified above are trade names or registered trademarks of each respective company.

P2654-01WB