

Metal Shade LED

Ceiling Cord Mounted • Dry Location Listed **PROGRESS LED**

Description:

Metal Shade LED Collection Brushed Nickel Spun Metal Shade Farmhouse Pendant Light

Specifications:

- Spun Metal Shade
- White Acrylic Diffuser
- Dimmable to 10% brightness (See Dimming Notes)
- Canopy covers a standard 4" recessed outlet box: 5 in W.,
- Mounting strap for outlet box included
- 120 in of wire supplied

Performance:

| | |
|------------------------|-------------------------------------|
| Number of Modules | 1 |
| Input Power | 17 W |
| Input Voltage | 120 V |
| Input Frequency | 60 Hz |
| Lumens/LPW (Source) | 1,211/71.2 (LM-82) |
| Lumens/LPW (Delivered) | 788/50.5 (LM-79) |
| CCT | 3000 K |
| CRI | 90 CRI |
| Life (hours) | 60000 (L70/TM-21) |
| EMI/RFI | Meets FCC Title 47, Part 15 Class B |
| Max. Operating Temp | 30 °C |
| Warranty | 5-year Limited Warranty |
| Labels | cCSAus Dry Location Listed |

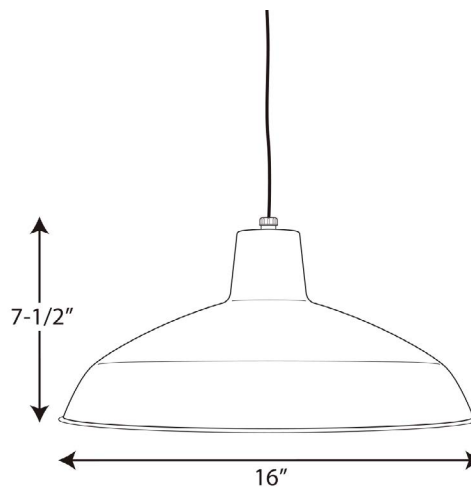
P5094-0930K9



Dimensions:

Diameter: 16 in
 Height: 8 in
 Overall Ht. W/Cord: 129 in

White Acrylic Diffuser
 Width: 5-13/16 in
 Height: 0-1/2 in



P5094-0930K9

Photometrics:

| | |
|---|-------------------------------------|
| ELECTRICAL DATA | P5094-0930K9 |
| Input Voltage | 120 V |
| Input Frequency | 60 Hz |
| Input Current | 0.142 A |
| Power Factor | Greater than 0.90 |
| THD | <20% |
| EMI/RFI | Meets FCC Title 47, Part 15 Class B |
| Operating Temperature | -30 °C to 30 °C |
| Dimming | Yes* |
| Over-voltage, over-current, short-circuit protected | |
| *See Dimming Notes for more information | |

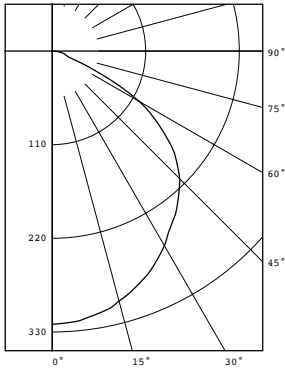
P5094-0930K9
 LED Light Engine: 3000 K 90 CRI
 System Wattage: 17
 Fixture delivered lumens: 788
 Fixture Efficacy: 50.5
 Spacing Criteria: 1.2

CANDELA DISTRIBUTION

| DEG | CANDELA | LUMENS |
|-----|---------|--------|
| 0 | 321 | |
| 5 | 319 | 30 |
| 15 | 304 | 86 |
| 25 | 280 | 129 |
| 35 | 246 | 154 |
| 45 | 212 | 163 |
| 55 | 155 | 138 |
| 65 | 62 | 64 |
| 75 | 16 | 17 |
| 85 | 6 | 7 |
| 90 | 0 | |

ZONAL LUMEN SUMMARY

| ZONE | LUMENS | %FIXT |
|--------|--------|-------|
| 0-30 | 245 | 31.1 |
| 0-40 | 399 | 50.7 |
| 0-60 | 700 | 88.8 |
| 0-90 | 788 | 100.0 |
| 90-180 | 0 | 0.0 |
| 0-180 | 788 | 100.0 |



Test 9030 Test Date 05/12/14

P5094-0930K9

Dimming Notes:

P5094-0930K9 is designed to be compatible with many ELV/Reverse Phase controls.

The following is a partial list of known compatible dimmer controls.

Dimming Controls:

Lutron_Nova T NTELV-300

Lutron_Vierti VTELV-600

Lutron_Maestro MAELV-600

Lutron_spacer/system SPSELV-600

Dimming capabilities will vary depending on the dimmer control, load, and circuit installation.

Always refer to dimmer manufacturer instructions or a controls specialist for specific requirements.

Dimmer control brand names where identified above are trade names or registered trademarks of each respective company.