

## Z-1030 LED

Wall Mounted • Wet Location Listed **PROGRESS LED**

### Description:

Z-1030 Collection 5" One-Light LED Antique Bronze Medium Modern Wall Lantern

### Specifications:

- Clear Glass Diffuser
- Dimmable to 10% brightness (See Dimming Notes)
- Back plate covers a standard 4" recessed outlet box: 4.75 in W., 1 in ht., 4.75 in depth
- Mounting strap for outlet box included
- 6 in of wire supplied
- Yes, per photometry (not registered with IDA)

### Performance:

Number of Modules	1
Input Power	9 W
Input Voltage	120 V
Input Frequency	60 Hz
Lumens/LPW (Source)	624/66 (LM-82)
Lumens/LPW (Delivered)	309/32.9 (LM-79)
CCT	3000 K
CRI	90+ CRI
Life (hours)	60000 (L70/TM-21)
EMI/RFI	Meets FCC Title 47, Part 15 Class B
Max. Operating Temp	30° C
Warranty	5-year Limited Warranty
Labels	cCSAus Wet Location Listed Meets California Title 24 JA8-2016

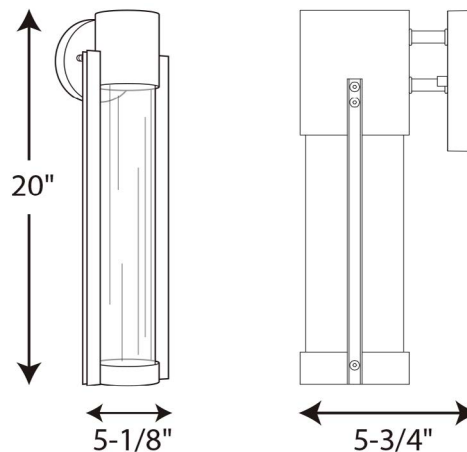
# P560056-020-30



### Dimensions:

Width: 5-1/8 in  
 Depth: 5-3/4 in  
 Height: 20 in  
 H/CTR: 2-1/4 in

Clear Glass Diffuser  
 Width: 3-1/8 in  
 Height: 16-5/16 in

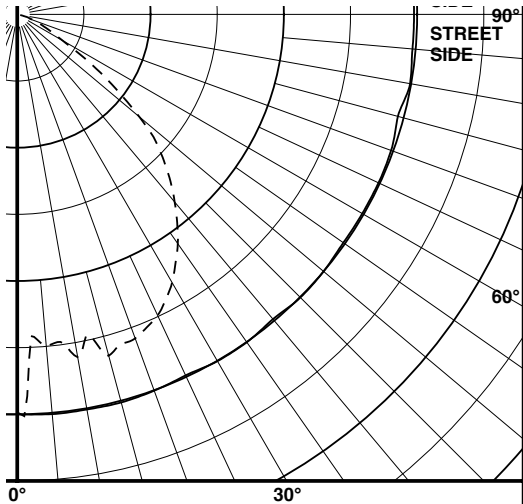


# P560056-020-30

**Photometrics:**

<b>ELECTRICAL DATA</b>	<b>P560056-020-30</b>
Input Voltage	120 V
Input Frequency	60 Hz
Input Current	0.075 A
Power Factor	Greater than 0.90
THD	<20%
EMI/RFI	Meets FCC Title 47, Part 15 Class B
Operating Temperature	-30 °C
Dimming	Yes*
Over-voltage, over-current, short-circuit protected	
*See Dimming Notes for more information	

**P560056-020-30**  
 LED Light Engine: 3000 K 90+  
 System Wattage: 9  
 Fixture delivered lumens: 309  
 Fixture Efficacy: 32.9  
 Spacing Criteria:



ZONAL LUMEN	SUMMARY
0-5	3
5-10	9
10-15	14
15-20	20
20-25	24
25-30	28
30-35	30
35-40	30
40-45	28
45-50	25
50-55	19
55-60	11
60-65	6
65-70	3
70-75	2
75-80	1
80-85	0
85-90	0

Test 16.03583 Test Date 01/04/17

# P560056-020-30

## Dimming Notes:

---

P560056-020-30 is designed to be compatible with many Triac/Forward Phase ELV/Reverse Phase controls.

The following is a partial list of known compatible dimmer controls.

## Dimming Controls:

---

Lutron\_Diva DVELV-300P

Lutron\_Nova T NTELV-300

Lutron\_Caseta

Lutron\_Ariadni AY-600P

Leviton\_Illumatech IPI06-1LZ

Leviton\_SureSlide 6672

Lutron\_Skylark Contour CTCL-153P

Lutron\_Diva DVCL-153P

Lutron\_Toggler TGCL-153P

Lutron\_Maestro MACL-153M

Lutron\_Ariadni AYL-600P

Lutron\_Nova T NTLV-600

Lutron\_Maestro MAELV-600

Lutron\_spacer/system SPSELV-600

Leviton\_Renoir II AWRMG-EAW

Lutron\_Nova N-600

Dimming capabilities will vary depending on the dimmer control, load, and circuit installation.

Always refer to dimmer manufacturer instructions or a controls specialist for specific requirements.

Dimmer control brand names where identified above are trade names or registered trademarks of each respective company.