

## Z-1080 LED

Wall Mounted Vertical Only • Wet Location Listed



### Description:

Transform the mundane everyday with the sophisticated styling of this LED outdoor sconce. A smooth, elongated frame with a black finish dominates the design and exudes a modern attitude perfect for indoor or outdoor spaces. Beautiful acrylic shades stretch into a rectangular form, held in place by simple metal bars at each end for a picture-perfect finish. Vertical mount only.

### Specifications:

- White acrylic Diffuser
- Beautiful acrylic shades stretch into a rectangular form, held in place by simple metal bars at each end for a picture-perfect finish.
- A smooth, elongated frame with a black finish dominates the design and exudes a modern attitude perfect for indoor or outdoor spaces.
- Transform the mundane everyday with the sophisticated styling of this LED outdoor sconce.
- Ideal for any foyer, bedroom, entryway, porch, or patio.
- Perfect for transitional, modern, or contemporary settings.
- Measures 5-inch width by 23-1/2-inch height.
- Uses two integrated LED (11w max).
- Compatible with many Triac/ELV dimmers (see dimming controls)
- Includes installation instructions and mounting hardware.
- Progress Lighting products are designed for exceptional quality, reliability, and functionality.
- Dimmable to 10% brightness (See Dimming Notes)
- Canopy covers a standard 4" recessed outlet box: 4.75 in W., 23.25 in ht., 0.75 in depth
- Mounting backplate for outlet box included
- 6 in of wire supplied
- Americans With Disabilities Act (ADA) compliant

### Performance:

Number of Modules	2
Input Power	11 W
Input Voltage	120 V
Input Frequency	60 Hz
Lumens/LPW (Delivered)	847/38 (LM-79)
CCT	3000 K
CRI	90 CRI
Life (hours)	54000 (L70/TM-21)
EMI/RFI	FCC Title 47, Part 15, Class B
Warranty	5-year Limited Warranty
Labels	cCSAus Wet Location Listed
	ENERGY STAR® qualified
	Meets California Title 24 JA8-2019

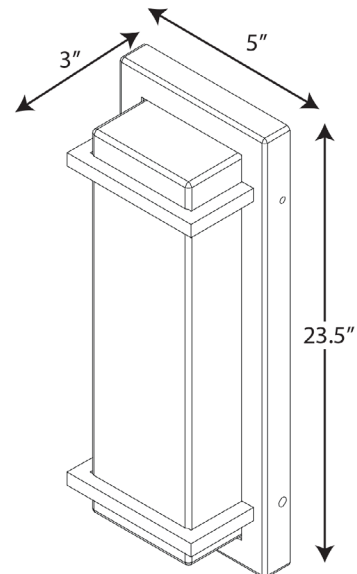
## P560211-031-30



### Dimensions:

Width: 5 in  
 Height: 23-1/2 in  
 Depth: 3 in  
 H/CTR: 11-3/4 in

White acrylic Diffuser  
 Width: 4-1/8 in  
 Height: 22-5/8 in



# P560211-031-30

## Dimming Notes:

---

P560211-031-30 is designed to be compatible with many Triac/ELV controls.

The following is a partial list of known compatible dimmer controls.

## Dimming Controls:

---

Leviton IPI06-1LZ

Leviton 6674

Lutron NTEVL-300

Lutron DVELV-300P

Lutron AYCL-153P

Dimming capabilities will vary depending on the dimmer control, load, and circuit installation.

Always refer to dimmer manufacturer instructions or a controls specialist for specific requirements.

Dimmer control brand names where identified above are trade names or registered trademarks of each respective company.