

Cylinders

Wall Mounted • Wet Location Listed PROGRESS LED

Description:

Sleek, 3" LED cylindrical wall lantern with downlight in elegant Graphite finish.. Die-cast aluminum wall brackets and heavy-duty aluminum framing. Fade and chip-resistant. UL listed for wet locations. Can be used indoor or outdoor.

Specifications:

- Clear glass lens
- 3" LED wall mount downlight cylinder
- This sleek, contemporary cylinder is ideal for indoor or outdoor applications
- A Graphite finish complements a variety of exteriors
- Warm white, 3000K, color temperature, 90 CRI
- 907 lumens, 75 lumens per watt (delivered)
- Die Cast Aluminum construction with durable powder coated finish
- Dimmable to 10% brightness with many Forward Phase (Triac) and Reverse Phase (ELV) dimmers
- Energy Star Qualified
- Meets California T24 JA8-2016.
- Dimmable to 10% brightness (See Dimming Notes)
- Back plate covers a standard 4" recessed outlet box: 4.4375 in W., 4.4375 in ht., 1.015 in depth
- Mounting strap for outlet box included
- 6 in of wire supplied

Performance:

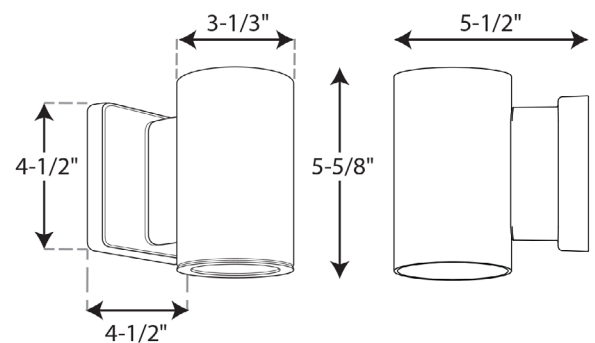
Number of Modules	1
Input Power	12 W
Input Voltage	120 V
Input Frequency	60 Hz
Lumens/LPW (Delivered)	907/75 (LM-79)
CCT	3000 K
CRI	90 CRI
Life (hours)	50000 (L70/TM-21)
EMI/RFI	FCC Title 47, Part 15, Class B
Max. Operating Temp	40 °C
Warranty	5-year Limited Warranty
Labels	CSA Wet Location Listed
	ENERGY STAR® qualified
	Meets California Title 24 JA8-2016

P563000-143-30K



Dimensions:

Width: 4-1/2 in
 Height: 5-5/8 in
 Depth: 5-1/2 in
 H/CTR: 3 in



Photometrics:

P563000-143-30K

ELECTRICAL DATA	P563000-143-30K
Input Voltage	120 V
Input Frequency	60 Hz
Input Current	0.102 A
THD	<20%
EMI/RFI	FCC Title 47, Part 15, Class B
Operating Temperature	-10 °C
Dimming	Yes*
Over-voltage, over-current, short-circuit protected	
*See Dimming Notes for more information	

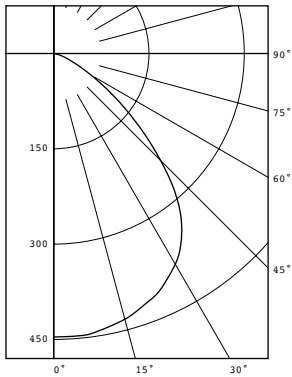
P563000-143-30K
 LED Light Engine: 3000 K 90 CRI
 System Wattage: 12
 Fixture delivered lumens: 907
 Fixture Efficacy: 75
 Spacing Criteria: 1.3

CANDELA DISTRIBUTION

DEG	CANDELA	LUMENS
0	446	
5	446	42
15	433	122
25	405	186
35	351	218
45	238	183
55	113	103
65	38	40
75	10	12
85	1	1
90	0	

ZONAL LUMEN SUMMARY

ZONE	LUMENS	%FIXT
0-30	351	38.7
0-40	569	62.7
0-60	855	94.2
0-90	907	100.0
90-180	0	0.0
0-180	907	100.0



Test 17.02584 Test Date 09/28/17

P563000-143-30K

Dimming Notes:

P563000-143-30K is designed to be compatible with many Triac/Forward Phase ELV/Reverse Phase controls.

The following is a partial list of known compatible dimmer controls.

Dimming Controls:

Lutron_Diva DVELV-300P

Lutron_Caseta Wireless

Leviton_SureSlide 6672

Lutron_Ariadni AYCL-153P

Lutron_Toggler TGCL-153PH-WH

Dimming capabilities will vary depending on the dimmer control, load, and circuit installation.

Always refer to dimmer manufacturer instructions or a controls specialist for specific requirements.

Dimmer control brand names where identified above are trade names or registered trademarks of each respective company.