

P6341 SERIES FLOOD LIGHT

 Wall mounted • Wet location listed 

Description:

The two-light Security light with motion sensor is ideal for residential and commercial applications. Each tempered glass head has over 1,000 lumens and is adjustable. The motion sensor has 180 degree coverage, center focus range to 72 feet, Time On, Sensitivity and Distance adjustment with Night/Day or night operation. This fixture saves energy and maintenance over traditional lighting sources.

Specifications:

- Antique Bronze (-20), Bright White (-28), Metallic Gray (-82) (powder coat paint)
- Die-cast aluminum construction
- Tempered glass lens
- Dimmable to 10% brightness (See Dimming Notes)
- Backplate covers a standard 4" hexagonal recessed outlet box
- Mounting strap for outlet box included
- 6" of wire supplied
-

Performance:

Number of Modules	2
Input Power	26.6w
Input Voltage	120 V
Input Frequency	60 Hz
Lumens/LPW	2104/79 (LM-79) per module
CCT	3000 K
CRI	83
Life (hours)	60,000 (L70/TM-21)
EMI/RFI	FCC Title 47, Part 15, Class B
Min. Start Temp	-20 °C
Max. Operating Temp	40 °C
Warranty	5 year warranty
Labels	cCSAus Wet location listed

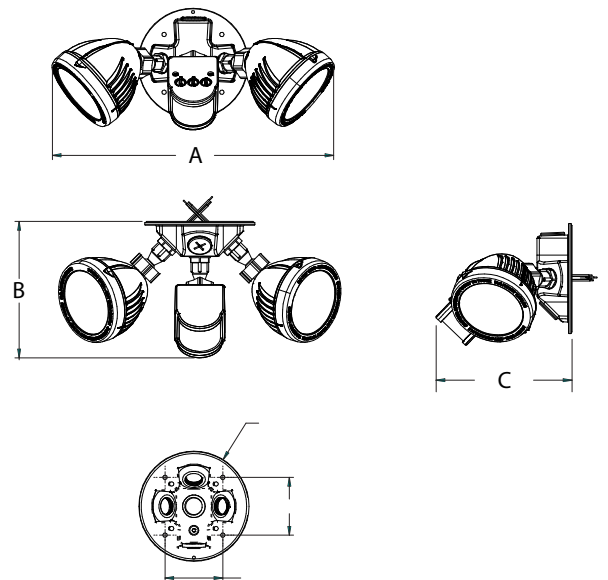
P6341 SERIES

Images:



Dimensions:

- A) Length: 6-1/2"
- B) Height: 6-1/2"
- C) Width: 6-3/4"



P6341 SERIES FLOOD LIGHT

Wall mounted • Wet location listed **PROGRESS LED**

Photometrics:

P6341 SERIES

Performance Data:

# of LEDs	Input Current	System Watts	CCT	CRI	Lumens	LPW ¹
2	0.22	26.6	3000K	80	2090	80.2

¹ - Lumen values are from photometric tests performed in accordance with IESNA LM-79-08. Data is considered to be representative of the configurations shown. Actual performance may differ as a result of end-user environment and application.

Electrical Data:

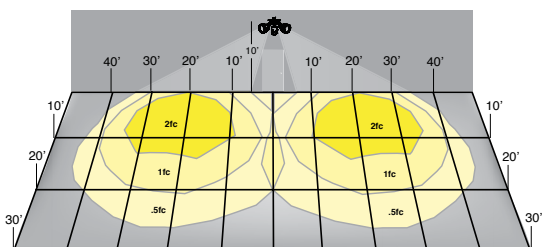
# of LEDs	Drive Current (mA)	Input Voltage (V)	System Power (w)	Current (Amps)
2	0.22	120	26.6	0.994

Luminaire Ambient Temperature Factor (LATF):

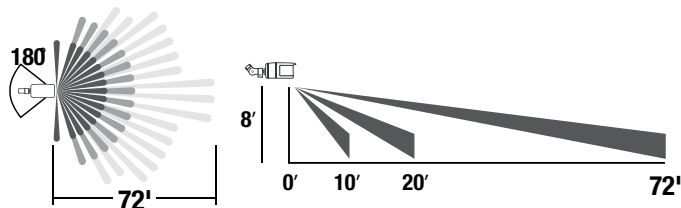
Ambient Temperature	Lumen Multiplier
0° C / 32° F	1.06
10° C / 50° F	1.03
20° C / 68° F	1.01
25° C / 77° F	1.00
30° C / 86° F	0.99
40° C / 104° F	0.97
50° C / 122° F	0.94

Use these factors to determine relative lumen output for average ambient temperatures from 0-40° C (32-104° F).

Performance



Sensor Performance



Sensor Adjustments



Includes adjustable settings and photo control

- Time
- Sensitivity
- Distance