

ONE-LIGHT LED WALL SCONCE

 Wall mounted • Damp location listed **PROGRESS LED**


P7105-0930K9

Description:

One-light LED wall sconce with a ribbed glass lens that is polished on the face and diffused white internally. Brushed Nickel brackets provide a nice architectural feature and create a clean, modern look. Etched glass end caps completely conceal the light source.

Specifications:

- Brushed Nickel (-09) (plated)
- Steel Construction
- Clear Ribbed, White Inside glass diffuser
- LED Module is replaceable (part # 93053641)
- 1,211 lumens 71.2 lumens/watt per module (source)
- 3000K color temperature, 90+ CRI.
- Dimmable to 10% brightness (See Dimming Notes)
- Back plate covers a standard 4" octagonal recessed outlet box
- Mounting strap for outlet box included
- 6" of wire supplied
- Complies with "Americans with Disabilities Act" - ADA
- ENERGY STAR® qualified

Performance:

Number of Modules	1
Input Power	17w
Input Voltage	120 V
Input Frequency	60 Hz
Lumens/LPW (Source)	1211/71.2 (LM-82)
Lumens/LPW (Delivered)	1058/61.2 (LM-79)
CCT	3000 K
CRI	90+
Life (hours)	60,000 (L70/TM-21)
FCC	Meets FCC Title 47, Part 15 Class B
Min. Start Temp	-30 °C
Max. Operating Temp	30 °C
Warranty	5 year warranty
Labels	cCSAus Damp location listed ENERGY STAR® qualified

Images:



Dimensions:

Width: 12-7/8"
 Depth: 3-1/2"
 Height: 10"
 H/CTR: 6-3/8"

Photometrics:

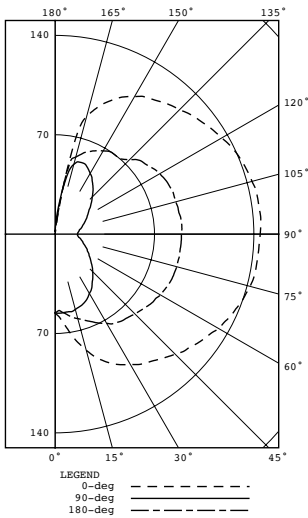
P7105-0930K9

ELECTRICAL DATA	P7105-0930K9
Input Voltage	120 V
Input Frequency	60 Hz
Input Current	0.142 A
Input Power	17
Power Factor	Greater than 0.90
THD	<20%
FCC	Meets FCC Title 47, Part 15 Class B
Operating Temperature	-30 °C to 30 °C
Dimming	Yes*

*See Dimming Notes for more information

P7105-0930K9

LED Light Engine: 3000 K 90+
 System Wattage: 17
 Fixture delivered lumens: 1058
 Fixture Efficacy: 61.2
 Spacing Criteria: 2.65 | 1.29 | 2.02



Test 17.00648 Test Date 03/13/17

CANDELA DISTRIBUTION

CANDELA	DISTRIBUTION			FLUX		
	0.0	45.0	90.0	135.0	180.0	
0	56	56	56	56	56	
5	62	60	56	55	55	6
15	85	73	55	58	62	18
25	101	83	52	60	69	32
35	111	87	45	61	76	45
45	120	90	37	70	80	57
55	128	93	30	82	84	68
65	137	96	25	92	87	78
75	142	99	20	98	89	85
85	144	99	16	98	89	88
90	145	99	16	98	89	
95	145	100	16	98	89	88
105	144	99	20	97	88	86
115	139	98	24	94	87	80
125	132	94	29	86	82	70
135	124	92	37	75	74	58
145	117	89	46	65	70	46
155	106	84	53	61	65	33
165	86	68	51	59	56	17
175	2	5	12	10	4	2
180	2	2	2	2	2	

ZONAL LUMEN SUMMARY

ZONE	LUMENS	%FIXT
0-30	56	5.9
0-40	101	10.6
0-60	226	23.6
0-90	477	49.9
90-120	254	26.6
90-130	324	33.9
90-150	428	44.8
90-180	480	50.1
0-180	957	100.0

P7105-0930K9**Dimming Notes:**

P7105 is designed to be compatible with many ELV/Reverse Phase controls.

The following is a partial list of known compatible dimmer controls.

Dimming Controls

Lutron Nova T NTELV-300

Lutron Verti VTELV-600

Lutron Maestro MAELV-600

Lutron spacer/system SPSELV-600

Leviton Renoir II AWRMG-EAW

Dimming capabilities will vary depending on the dimmer control, load, and circuit installation. Always refer to dimmer manufacturer instructions or a controls specialist for specific requirements.

Dimmer control brand names where identified above are trade names or registered trademarks of each respective company.