

## Description:

Revel in the brilliant combination of easy installation and a sleek, modern lighting aesthetic offered by our Emblem Surface Mount LED Collection. A symbol of clean, classic designs with smooth, eye-appealing curvature, Emblem provides you with familiar lighting shapes and functional features engineered for both outstanding performance and unparalleled longevity. An excellent choice for general ambient lighting, each polished design features a smooth, slightly tapered trim ring surrounding a single, integrated LED light source. Each trim ring is available in two different sizes and finishes to help meet your unique design needs. Enjoy the unmatched level of glare control offered by the fixture's diffused polycarbonate lens that also hides any unwanted LED pixilation. Each light fixture is home to an integrated AC LED light engine that seamlessly installs to a variety of ceiling pan junction boxes to give you added flexibility when it comes to creating your design vision. The surface mount will also satiate the cravings of any environmentally-aware and cost-savvy buyer with the fixture's long-lasting, 50,000-hour LED life span and 80% energy savings.

## Specifications:

- Diffused polycarbonate lens
- Integrated AC LED technology 3000K, 90 CRI, 1000 lumens (delivered)
- Die-cast aluminum construction with a powder coat paint finish
- Diffused polycarbonate lens controls direct glare from the LEDs
- Simple snap in installation for J-Box with 1/2" minimum depth
- Lumen output and distribution comparable to a 75W incandescent lamp
- Dimmable to 10% brightness with many Electronic Low Voltage (ELV) & Forward Phase (TRIAC) dimmers
- Bronze Finish
- CSA Listed for Wet Location applications
- Meets California Title 24 - JA8 - 2019
- Maximum 30 luminaires on a circuit (without dimmer).
- 50,000 hour rated lifetime
- Dimmable to 10% brightness (See Dimming Notes)
- Mounting strap for outlet box included
- 6 in of wire supplied

## Performance:

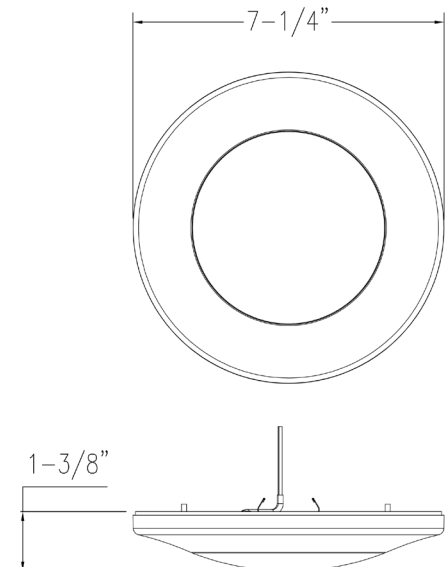
Number of Modules	1
Input Power	15.5 W
Input Voltage	120 V
Input Frequency	60 Hz
Lumens/LPW (Delivered)	1,080/69.7 (LM-79)
CCT	3000 K
CRI	90 CRI
Life (hours)	50000 (L70/TM-21)
EMI/RFI	FCC Title 47, Part 15, Class B
Min. Start Temp	-30 °C
Max. Operating Temp	30 °C
Warranty	5 year warranty
Labels	cCSAus Wet Location Listed ENERGY STAR® qualified Meets California Title 24 JA8-2019

# P810014-020-30



## Dimensions:

Diameter: 7-1/4 in  
 Height: 1-3/8 in



**Photometrics:**

# P810014-020-30

<b>ELECTRICAL DATA</b>	<b>P810014-020-30</b>
Input Voltage	120 V
Input Frequency	60 Hz
Input Current	0.129 A
Power Factor	0.99
THD	<20%
EMI/RFI	FCC Title 47, Part 15, Class B
Operating Temperature	-30 °C to 30 °C
Dimming	Yes*
Over-voltage, over-current, short-circuit protected	
*See Dimming Notes for more information	

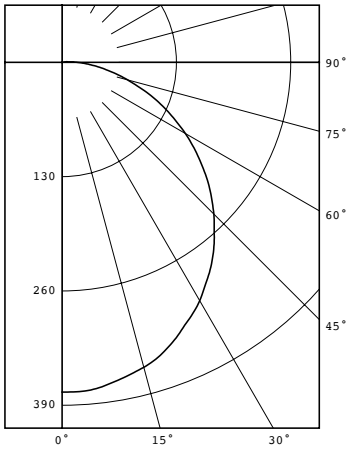
**P810014-028-30**  
 LED Light Engine: 3000 K 90 CRI  
 System Wattage: 15.5  
 Fixture delivered lumens: 1080  
 Fixture Efficacy: 69.7  
 Spacing Criteria: 1.24

**CANDELA DISTRIBUTION**

DEG	CANDELA	LUMENS
0	375	
5	374	35
15	359	101
25	330	152
35	292	183
45	244	188
55	190	170
65	133	132
75	77	82
85	33	37
90	17	
95	7	9
105	0	0
115	0	0
125	0	0
135	0	0
145	0	0
155	0	0
165	0	0
175	0	0
180	0	

**ZONAL LUMEN SUMMARY**

ZONAL ZONE	LUMEN LUMENS	SUMMARY %FIXT
0-30	289	26.5
0-40	472	43.3
0-60	830	76.1
0-90	1081	99.1
90-120	9	0.9
90-130	9	0.9
90-150	9	0.9
90-180	9	0.9
0-180	1090	100.0



Test 19.00628 Test Date 04/12/19

**Dimming Notes:**

---

P810014-020-30 is designed to be compatible with many Triac/Forward Phase or ELV/Reverse Phase controls.

The following is a partial list of known compatible dimmer controls.

**Dimming Controls:**

---

IDevices IDEV009

Leviton 6681

Leviton 6672

Leviton 6674

Lutron NTEVL-300

Lutron DVELV-300P

Lutron DVCL-253P

Lutron Caseta Wireless

Lutron AYCL-153P

Lutron TGCL-153-PH-WH

Lutron MACL-153M

Dimming capabilities will vary depending on the dimmer control, load, and circuit installation.

Always refer to dimmer manufacturer instructions or a controls specialist for specific requirements.

Dimmer control brand names where identified above are trade names or registered trademarks of each respective company.

# P810014-020-30