

Everlume

Wall or Ceiling Mounted • Wet Location Listed **PROGRESS LED**

P810021-030-30

Description:

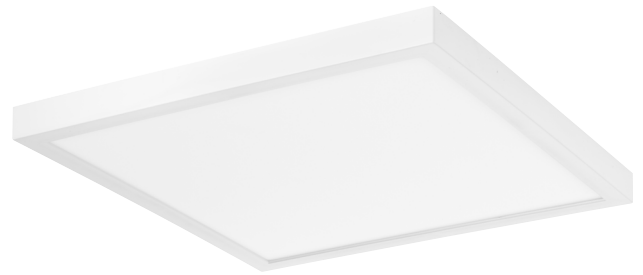
Everlume Collection White 14" Edgelit Square

Specifications:

- Diffused Polycarbonate Lens
- Dimmable to 10% brightness (See Dimming Notes)
- Mounting backplate for outlet box included
- 6 in of wire supplied

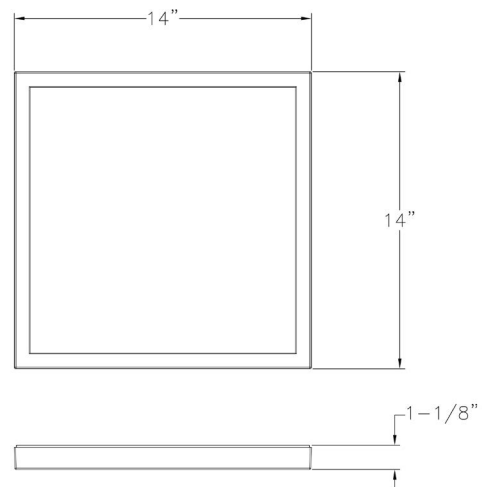
Performance:

Number of Modules	1
Input Power	20 W
Input Voltage	120 V
Input Frequency	60 Hz
Lumens/LPW (Delivered)	1,600/84 (LM-79)
CCT	3000 K
CRI	90 CRI
Life (hours)	50000 (L70/TM-21)
EMI/RFI	FCC Title 47, Part 15, Class B
Min. Start Temp	-30 °C
Max. Operating Temp	30 °C
Warranty	5-year Limited Warranty
Labels	cCSAus Wet Location Listed
	Meets California Title 24 JA8-2019



Dimensions:

Square: 14 in
 Height: 1-1/8 in



P810021-030-30

Photometrics:

ELECTRICAL DATA	P810021-030-30
Input Voltage	120 V
Input Frequency	60 Hz
Input Current	0.165 A
Power Factor	0.98
THD	<20%
EMI/RFI	FCC Title 47, Part 15, Class B
Operating Temperature	-30 °C to 30 °C
Dimming	Yes*
Over-voltage, over-current, short-circuit protected	
*See Dimming Notes for more information	

P810021-030-30

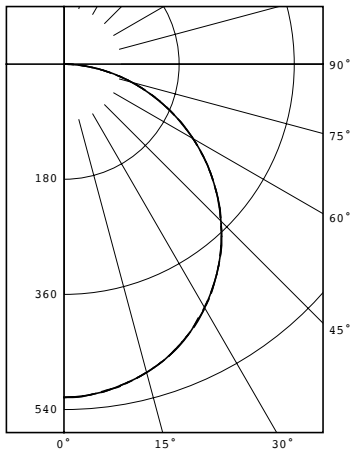
LED Light Engine: 3000 K 90 CRI
 System Wattage: 20
 Fixture delivered lumens: 1600
 Fixture Efficacy: 84
 Spacing Criteria: 1.25

CANDELA DISTRIBUTION

	CANDELA DISTRIBUTION					FLUX
	0.0	22.5	45.0	67.5	90.0	
0	521	521	521	521	521	
5	518	518	518	518	518	49
15	499	499	499	499	499	141
25	464	464	464	464	464	214
35	412	412	412	412	412	258
45	346	346	347	346	347	268
55	273	272	273	273	273	244
65	192	191	192	191	192	190
75	111	110	110	109	110	116
85	32	31	32	31	32	35
90	1	0	0	0	1	
95	0	0	0	0	0	0
105	0	0	0	0	0	0
115	0	0	0	0	0	0
125	0	0	0	0	0	0
135	0	0	0	0	0	0
145	0	0	0	0	0	0
155	0	0	0	0	0	0
165	0	0	0	0	0	0
175	0	0	0	0	0	0
180	0	0	0	0	0	0

ZONAL LUMEN SUMMARY

ZONE	LUMENS	%FIXT
0-30	404	26.7
0-40	661	43.7
0-60	1173	77.5
0-90	1513	100.0
90-120	0	0.0
90-130	0	0.0
90-150	0	0.0
90-180	0	0.0
0-180	1513	100.0



Test 19.01445 Test Date 08/14/19

P810021-030-30

Dimming Notes:

P810021-030-30 is designed to be compatible with many Triac/Forward Phase ELV/Reverse Phase controls.

The following is a partial list of known compatible dimmer controls.

Dimming Controls:

Eaton_AAL06

Eaton_SAL06P

IDevices_IDEV0009

Leviton_IPI06-1LZ

Leviton_SureSlide 6672

Leviton_SureSlide 6674

Lutron_Nova T VTELV-300

Lutron_Diva DVELV-300P

Lutron_Diva DVCL-253P

Lutron_SCL-153P

Lutron_Toggler TGCL-153PH-WH

Lutron_Maestro MACL-153M

Dimming capabilities will vary depending on the dimmer control, load, and circuit installation.

Always refer to dimmer manufacturer instructions or a controls specialist for specific requirements.

Dimmer control brand names where identified above are trade names or registered trademarks of each respective company.