

# P9061 Medium LED Track Head

Track mounted • Dry location listed



## Description:

The P9061 LED Track head with a mesh back design is ideal for residential and light commercial applications. The P9061 has an integrated driver design allowing for a small, sleek style.

## Specifications:

- White (-28) (painted)
- Die Cast Aluminum construction
- Clear glass lens
- Mesh back design
- Specular reflector.
- P9051 power feed needed to electrify track.
- 48" and 96" track available (P9054 & P9058)
- Dimmable to 10% brightness (See Dimming Notes)
- ENERGY STAR® qualified

## Performance:

Number of Modules	1
Input Power	6.7w
Input Voltage	120 V
Input Frequency	60 Hz
Lumens/LPW	428/63.9 (LM-79)
CCT	2700 K
CRI	90+
Life (hours)	50,000 (L70/TM-21)
EMI/RFI	FCC Title 47, Part 15 Class B
Min. Start Temp	-30 °C
Max. Operating Temp	30° C
Warranty	5 year warranty
Labels	cETLus Dry location listed ENERGY STAR® qualified

## P9061-28-27K9

## Images:

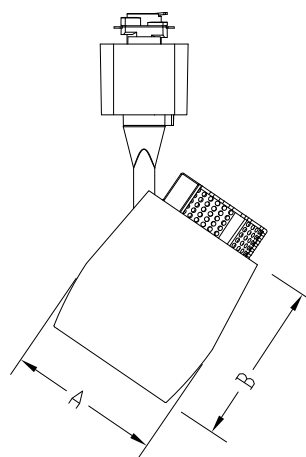


## Dimensions:

(A) Width: 2.8"

(B) Depth: 3.1"

Height: 6.3"



**Photometrics:**

## P9061-28-27K9

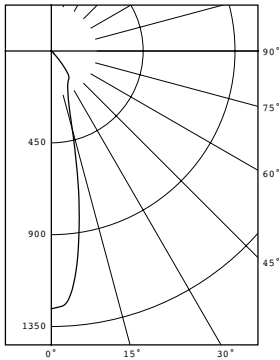
<b>ELECTRICAL DATA</b>	<b>P9061-28-27K9</b>
Input Voltage	120 V
Input Frequency	60 Hz
Input Current	0.058 A
Input Power	6.7
Power Factor	>0.90
THD	<20%
EMI Filtering	FCC Title 47, Part 15 Class B
Operating Temperature	-30 °C to 30° C
Dimming	Yes*
Over-voltage, over-current, short-circuit protected	
*See Dimming Notes for more information	

**P9061-28-27K9**

LED Light Engine: 2700 K 90+ CRI  
 System Wattage: 6.7  
 Fixture delivered lumens: 428  
 Fixture Efficacy: 63.9  
 Spacing Criteria: 0.4

**ZONAL LUMEN SUMMARY**

Zone	Lumens	%Fixt
0-30	306	71.4
0-40	391	91.2
0-60	420	98.0
0-90	428	100.0
90-180	0	0.0
0-180	428	100.0



**CANDELA DISTRIBUTION**

DEG	CANDELA	LUMENS
0	1263	
5	1173	99
15	397	118
25	190	89
35	148	85
45	18	21
55	9	8
65	5	5
75	3	3
85	0	0
90	0	

## P9061-28-27K9

### Dimming Notes:

---

P9061 is designed to be compatible with many Triac/Forward Phase controls.

The following is a partial list of known compatible dimmer controls.

### Dimming Controls

---

Lutron NTELV-300

Lutron DVELV-300P

Lutron DVCL-253P

Lutron Caseta

Leviton 6681

Leviton 6674

Lutron AYLC-153P

Lutron TGCL-153PH

Lutron AYLV-600P

Lutron NTLV-600

Lutron MAELV-600

Lutron N-600

Dimming capabilities will vary depending on the dimmer control, load, and circuit installation. Always refer to dimmer manufacturer instructions or a controls specialist for specific requirements.

Dimmer control brand names where identified above are trade names or registered trademarks of each respective company.