

P9061 Medium LED Track Head

Track mounted • Dry location listed



Description:

The P9061 LED Track head with a mesh back design is ideal for residential and light commercial applications. The P9061 has an integrated driver design allowing for a small, sleek style.

Specifications:

- Black (-31) (painted)
- Die Cast Aluminum construction
- Clear glass lens
- Mesh back design
- Specular reflector.
- P9051 power feed needed to electrify track.
- 48" and 96" track available (P9054 & P9058)
- Dimmable to 10% brightness (See Dimming Notes)
- ENERGY STAR® qualified

Performance:

Number of Modules	1
Input Power	7w
Input Voltage	120 V
Input Frequency	60 Hz
Lumens/LPW	451/64.4 (LM-79)
CCT	2700 K
CRI	90+
Life (hours)	50,000 (L70/TM-21)
EMI/RFI	FCC Title 47, Part 15 Class B
Min. Start Temp	-30 °C
Max. Operating Temp	30° C
Warranty	5 year warranty
Labels	cETLus Dry location listed ENERGY STAR® qualified

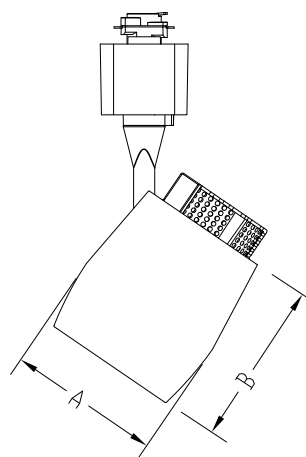
P9061-31-27K9

Images:



Dimensions:

(A) Width: 2.8"
(B) Depth: 3.1"
Height: 6.3"



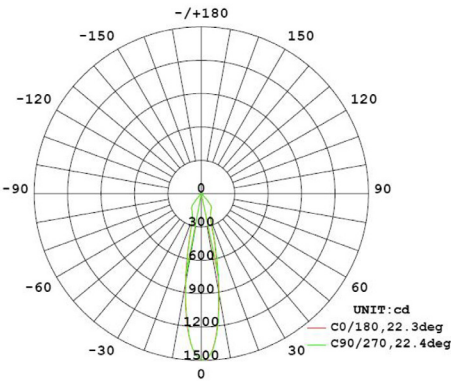
Photometrics:

P9061-31-27K9

ELECTRICAL DATA	P9061-31-27K9
Input Voltage	120 V
Input Frequency	60 Hz
Input Current	0.0608 A
Input Power	7
Power Factor	>0.90
THD	<20%
EMI Filtering	FCC Title 47, Part 15 Class B
Operating Temperature	-30 °C to 30° C
Dimming	Yes*
Over-voltage, over-current, short-circuit protected	
*See Dimming Notes for more information	

P9061-31-27K9

LED Light Engine: 2700 K 90+ CRI
 System Wattage: 7
 Fixture delivered lumens: 451
 Fixture Efficacy: 64.4
 Spacing Criteria: 0.42



ZONAL LUMEN SUMMARY

Zone	Zone_Lumens	Total_Lumens	%_Luminaire
0-10	110.7	110.7	24.5
10-20	126.2	236.9	52.4
20-30	91.67	328.5	72.7
30-40	93.30	421.8	93.3
40-50	25.12	447.0	98.9
50-60	4.05	451.0	99.8
60-70	.8392	451.9	100

P9061-31-27K9

Dimming Notes:

P9061 is designed to be compatible with many Triac/Forward Phase controls.

The following is a partial list of known compatible dimmer controls.

Dimming Controls

Lutron NTELV-300

Lutron DVELV-300P

Lutron DVCL-253P

Lutron Caseta

Leviton 6681

Leviton 6674

Lutron AYLC-153P

Lutron TGCL-153PH

Lutron AYL-600P

Lutron NTLV-600

Lutron MAELV-600

Lutron N-600

Dimming capabilities will vary depending on the dimmer control, load, and circuit installation. Always refer to dimmer manufacturer instructions or a controls specialist for specific requirements.

Dimmer control brand names where identified above are trade names or registered trademarks of each respective company.