

P9071 Medium LED Track Head

Track mounted • Dry location listed



Description:

The P9071 LED Track head with a side arm design is ideal for residential and light commercial applications. The P9071 has an integrated driver design allowing for a small sleek style.

Specifications:

- Brushed Nickel (-09) (plated)
- Die Cast Aluminum construction
- Clear glass lens
- Adjustable single side arm
- Specular reflector.
- P9051 power feed needed to electrify track.
- 48" and 96" track available (P9054 & P9058)
- Dimmable to 10% brightness (See Dimming Notes)
- ENERGY STAR® qualified

Performance:

Number of Modules	1
Input Power	6.8w
Input Voltage	120 V
Input Frequency	60 Hz
Lumens/LPW	427/62.8 (LM-79)
CCT	2700 K
CRI	90+
Life (hours)	50,000 (L70/TM-21)
EMI/RFI	FCC Title 47, Part 15 Class B
Min. Start Temp	-30 °C
Max. Operating Temp	30° C
Warranty	5 year warranty
Labels	cETLus Dry location listed ENERGY STAR® qualified

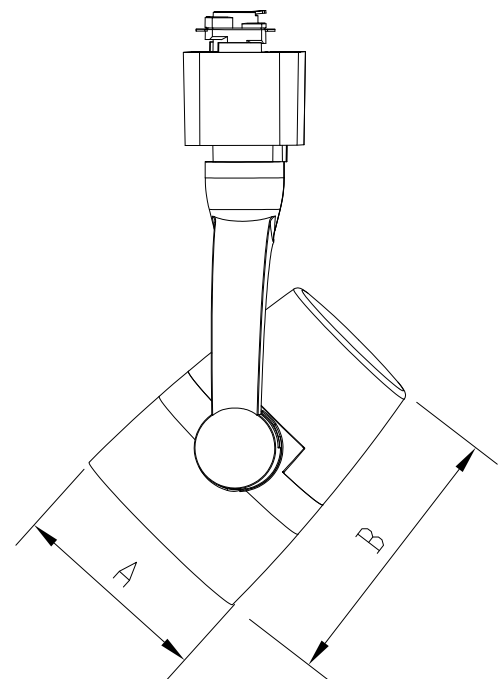
P9071-09-27K9

Images:



Dimensions:

(A) Width: 2.5"
(B) Depth: 3.4"
Height: 6.8"



Photometrics:

P9071-09-27K9

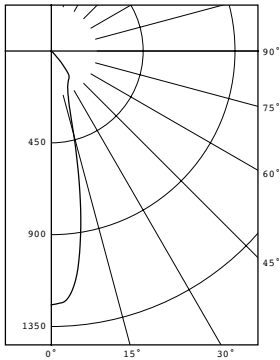
ELECTRICAL DATA	P9071-09-27K9
Input Voltage	120 V
Input Frequency	60 Hz
Input Current	0.058 A
Input Power	6.8
Power Factor	>0.90
THD	<20%
EMI Filtering	FCC Title 47, Part 15 Class B
Operating Temperature	-30 °C to 30° C
Dimming	Yes*
Over-voltage, over-current, short-circuit protected	
*See Dimming Notes for more information	

P9071-09-27K9

LED Light Engine: 2700 K 90+ CRI
 System Wattage: 6.8
 Fixture delivered lumens: 427
 Fixture Efficacy: 62.8
 Spacing Criteria: 0.42

ZONAL LUMEN SUMMARY

ZONE	LUMENS	%FIXT
0-30	315	73.8
0-40	403	94.3
0-60	426	99.9
0-90	427	100.0
90-180	0	0.0
0-180	427	100.0



CANDELA DISTRIBUTION

DEG	CANDELA	LUMENS
0	1244	
5	1177	101
15	425	124
25	190	90
35	152	88
45	15	21
55	3	3
65	1	0
75	0	0
85	0	0
90	0	

P9071-09-27K9

Dimming Notes:

P9071 is designed to be compatible with many Triac/Forward Phase controls.

The following is a partial list of known compatible dimmer controls.

Dimming Controls

Lutron NTELV-300

Lutron DVELV-300P

Leviton 6672

Leviton 6674

Lutron MAELV-600

Leviton AWRMG-EAW

Dimming capabilities will vary depending on the dimmer control, load, and circuit installation. Always refer to dimmer manufacturer instructions or a controls specialist for specific requirements.

Dimmer control brand names where identified above are trade names or registered trademarks of each respective company.