

# P9071 Medium LED Track Head

 Track mounted • Dry location listed **PROGRESS LED**


## Description:

The P9071 LED Track head with a side arm design is ideal for residential and light commercial applications. The P9071 has an integrated driver design allowing for a small sleek style.

## Specifications:

- White (-28) (painted)
- Die Cast Aluminum construction
- Clear glass lens
- Adjustable single side arm
- Specular reflector.
- P9051 power feed needed to electrify track.
- 48" and 96" track available (P9054 & P9058)
- Dimmable to 10% brightness (See Dimming Notes)
- ENERGY STAR® qualified

## Performance:

Number of Modules	1
Input Power	6.5w
Input Voltage	120 V
Input Frequency	60 Hz
Lumens/LPW	434/66.8 (LM-79)
CCT	2700 K
CRI	90+
Life (hours)	50,000 (L70/TM-21)
EMI/RFI	FCC Title 47, Part 15 Class B
Min. Start Temp	-30 °C
Max. Operating Temp	30° C
Warranty	5 year warranty
Labels	cETLus Dry location listed ENERGY STAR® qualified

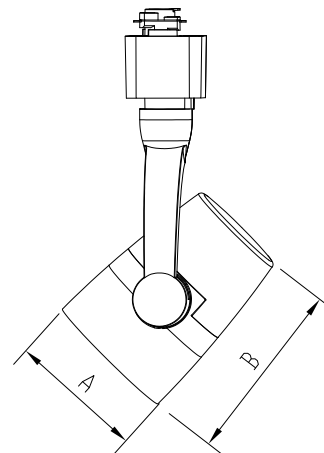
## P9071-28-27K9

## Images:



## Dimensions:

(A) Width: 2.5"  
(B) Depth: 3.4"  
Height: 6.8"



**Photometrics:**

## P9071-28-27K9

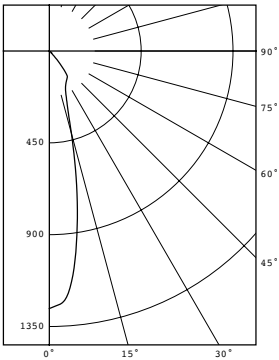
<b>ELECTRICAL DATA</b>	<b>P9071-28-27K9</b>
Input Voltage	120 V
Input Frequency	60 Hz
Input Current	0.056 A
Input Power	6.5
Power Factor	>0.90
THD	<20%
EMI Filtering	FCC Title 47, Part 15 Class B
Operating Temperature	-30 °C to 30° C
Dimming	Yes*
Over-voltage, over-current, short-circuit protected	
*See Dimming Notes for more information	

**P9071-28-27K9**

LED Light Engine: 2700 K 90+ CRI  
 System Wattage: 6.5  
 Fixture delivered lumens: 434  
 Fixture Efficacy: 66.8  
 Spacing Criteria: 0.41

**ZONAL LUMEN SUMMARY**

Zone	Lumens	%Fixt
0-30	309	71.3
0-40	397	91.5
0-60	426	98.2
0-90	434	100.0
90-180	0	0.0
0-180	434	100.0



**CANDELA DISTRIBUTION**

DEG	CANDELA	LUMENS
0	1262	
5	1165	99
15	417	122
25	189	89
35	154	88
45	17	22
55	8	7
65	4	5
75	3	3
85	0	0
90	0	

## P9071-28-27K9

### Dimming Notes:

---

P9071 is designed to be compatible with many Triac/Forward Phase controls.

The following is a partial list of known compatible dimmer controls.

### Dimming Controls

---

Lutron NTELV-300

Lutron DVELV-300P

Leviton 6672

Leviton 6674

Lutron MAELV-600

Leviton AWRMG-EAW

Dimming capabilities will vary depending on the dimmer control, load, and circuit installation. Always refer to dimmer manufacturer instructions or a controls specialist for specific requirements.

Dimmer control brand names where identified above are trade names or registered trademarks of each respective company.