

P9081 Medium LED Step Track Head

Track mounted • Dry location listed



Description:

The P9081 LED Track head with a classic step design is ideal for residential and light commercial applications. The P9081 has an integrated driver design allowing for a small, sleek style.

Specifications:

- White (-28) (painted)
- Die Cast Aluminum construction
- Glass glass lens
- LED Track head with step design
- Specular reflector.
- P9051 power feed needed to electrify track.
- 48" and 96" track available (P9054 & P9058)
- Dimmable to 10% brightness (See Dimming Notes)
- ENERGY STAR® qualified

Performance:

Number of Modules	1
Input Power	6.9w
Input Voltage	120 V
Input Frequency	60 Hz
Lumens/LPW	449/65 (LM-79)
CCT	2700 K
CRI	90+
Life (hours)	50,000 (L70/TM-21)
EMI/RFI	FCC Title 47, Part 15 Class B
Min. Start Temp	-30 °C
Max. Operating Temp	30° C
Warranty	5 year warranty
Labels	cETLus Dry location listed ENERGY STAR® qualified

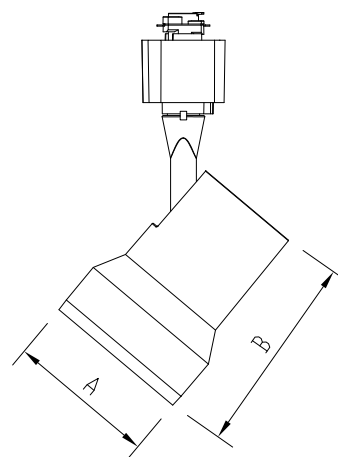
P9081-28-27K9

Images:



Dimensions:

(A) Width: 2.8"
(B) Depth: 3.7"
Height: 6.5"



Photometrics:

P9081-28-27K9

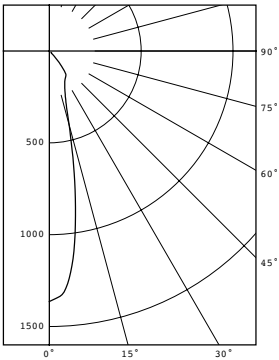
ELECTRICAL DATA	P9081-28-27K9
Input Voltage	120 V
Input Frequency	60 Hz
Input Current	0.059 A
Input Power	6.9
Power Factor	>0.90
THD	<20%
EMI Filtering	FCC Title 47, Part 15 Class B
Operating Temperature	-30 °C to 30° C
Dimming	Yes*
Over-voltage, over-current, short-circuit protected	
*See Dimming Notes for more information	

P9081-28-27K9

LED Light Engine: 2700 K 90+ CRI
 System Wattage: 6.9
 Fixture delivered lumens: 449
 Fixture Efficacy: 65
 Spacing Criteria: 0.39

ZONAL LUMEN SUMMARY

Zone	Lumens	%Fixt
0-30	320	71.3
0-40	411	91.4
0-60	442	98.4
0-90	449	100.0
90-180	0	0.0
0-180	449	100.0



CANDELA DISTRIBUTION

DEG	CANDELA	LUMENS
0	1364	
5	1242	104
15	415	123
25	199	93
35	157	90
45	20	24
55	8	7
65	4	4
75	2	3
85	0	0
90	0	

P9081-28-27K9

Dimming Notes:

P9081 is designed to be compatible with many Triac/Forward Phase controls.

The following is a partial list of known compatible dimmer controls.

Dimming Controls

Lutron NTELV-300

Lutron DVELV-300P

Lutron DVCL-253P

Lutron Caseta

Leviton 6681

Leviton 6672

Leviton 6674

Lutron AYLC-153P

Lutron TGCL-153PH

Lutron AYLV-600P

Lutron NTLV-600

Lutron N-600

Lutron MAELV-600

Dimming capabilities will vary depending on the dimmer control, load, and circuit installation. Always refer to dimmer manufacturer instructions or a controls specialist for specific requirements.

Dimmer control brand names where identified above are trade names or registered trademarks of each respective company.