

# P9082 Large LED Step Track Head

Track mounted • Dry location listed



## Description:

The P9082 LED Track head with a classic step design is ideal for residential and commercial applications. The P9082 has an integrated driver design allowing for a small, sleek style.

## Specifications:

- White (-28) (painted)
- Die Cast Aluminum construction
- Clear glass lens
- LED Track head with step design
- Specular reflector.
- P9051 power feed needed to electrify track.
- 48" and 96" track available (P9054 & P9058)
- Dimmable to 10% brightness (See Dimming Notes)
- ENERGY STAR® qualified
- Meets California Title 24 JA8-2016

## Performance:

Number of Modules	1
Input Power	10.4w
Input Voltage	120 V
Input Frequency	60 Hz
Lumens/LPW	641/61.6 (LM-79)
CCT	2700 K
CRI	90+
Life (hours)	50,000 (L70/TM-21)
EMI/RFI	FCC Title 47, Part 15 Class B
Min. Start Temp	-30 °C
Max. Operating Temp	30° C
Warranty	5 year warranty
Labels	cETLus Dry location listed ENERGY STAR® qualified Meets California Title 24 JA8-2016

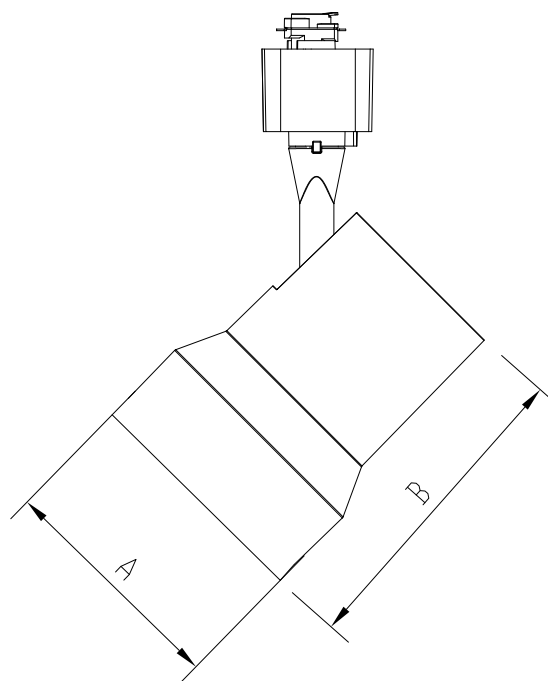
## P9082-28-27K9

## Images:



## Dimensions:

(A) Width: 3.4"  
(B) Depth: 4.5"  
Height: 7"



**Photometrics:**

**P9082-28-27K9**

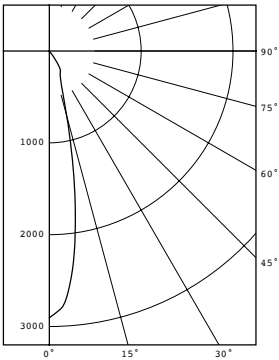
<b>ELECTRICAL DATA</b>	<b>P9082-28-27K9</b>
Input Voltage	120 V
Input Frequency	60 Hz
Input Current	0.089 A
Input Power	10.4
Power Factor	>0.90
THD	<20%
EMI Filtering	FCC Title 47, Part 15 Class B
Operating Temperature	-30 °C to 30° C
Dimming	Yes*
Over-voltage, over-current, short-circuit protected	
*See Dimming Notes for more information	

**P9082-28-27K9**

LED Light Engine: 2700 K 90+ CRI  
 System Wattage: 10.4  
 Fixture delivered lumens: 641  
 Fixture Efficacy: 61.6  
 Spacing Criteria: 0.37

**ZONAL LUMEN SUMMARY**

ZONE	LUMENS	%FIXT
0-30	564	88.1
0-40	633	98.8
0-60	639	99.8
0-90	641	100.0
90-180	0	0.0
0-180	641	100.0



**CANDELA DISTRIBUTION**

DEG	CANDELA	LUMENS
0	2905	
5	2557	213
15	732	218
25	280	133
35	107	69
45	5	4
55	2	2
65	1	1
75	1	0
85	1	0
90	0	

## P9082-28-27K9

### Dimming Notes:

---

P9082 is designed to be compatible with many Triac/Forward Phase controls.

The following is a partial list of known compatible dimmer controls.

### Dimming Controls

---

Lutron NTELV-300

Lutron DVELV-300P

Lutron DVCL-253P

Lutron Caseta

Leviton 6681

Leviton 6672

Leviton 6674

Lutron AYLC-153P

Lutron TGCL-153PH

Lutron AYLV-600P

Lutron MAELV-600

Leviton AWRMG-EAW

Dimming capabilities will vary depending on the dimmer control, load, and circuit installation. Always refer to dimmer manufacturer instructions or a controls specialist for specific requirements.

Dimmer control brand names where identified above are trade names or registered trademarks of each respective company.