

P9082 Large LED Step Track Head

Track mounted • Dry location listed



Description:

The P9082 LED Track head with a classic step design is ideal for residential and commercial applications. The P9082 has an integrated driver design allowing for a small, sleek style.

Specifications:

- Black (-31) (painted)
- Die Cast Aluminum construction
- Clear glass lens
- LED Track head with step design
- Specular reflector.
- P9051 power feed needed to electrify track.
- 48" and 96" track available (P9054 & P9058)
- Dimmable to 10% brightness (See Dimming Notes)
- ENERGY STAR® qualified
- Meets California Title 24 JA8-2016

Performance:

| | |
|---------------------|--|
| Number of Modules | 1 |
| Input Power | 10.1w |
| Input Voltage | 120 V |
| Input Frequency | 60 Hz |
| Lumens/LPW | 633/62.6 (LM-79) |
| CCT | 2700 K |
| CRI | 90+ |
| Life (hours) | 50,000 (L70/TM-21) |
| EMI/RFI | FCC Title 47, Part 15 Class B |
| Min. Start Temp | -30 °C |
| Max. Operating Temp | 30° C |
| Warranty | 5 year warranty |
| Labels | cETLus Dry location listed ENERGY STAR® qualified Meets California Title 24 JA8-2016 |

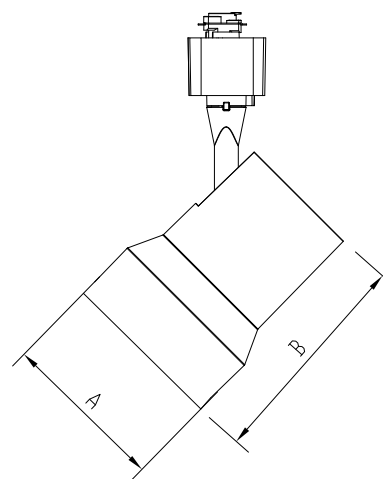
P9082-31-27K9

Images:



Dimensions:

(A) Width: 3.4"
(B) Depth: 4.5"
Height: 7"



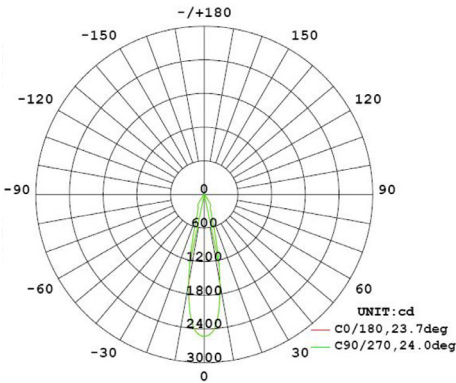
Photometrics:

P9082-31-27K9

| | |
|---|-------------------------------|
| ELECTRICAL DATA | P9082-31-27K9 |
| Input Voltage | 120 V |
| Input Frequency | 60 Hz |
| Input Current | 0.08691 A |
| Input Power | 10.1 |
| Power Factor | >0.90 |
| THD | <20% |
| EMI Filtering | FCC Title 47, Part 15 Class B |
| Operating Temperature | -30 °C to 30° C |
| Dimming | Yes* |
| Over-voltage, over-current, short-circuit protected | |
| *See Dimming Notes for more information | |

P9082-31-27K9

LED Light Engine: 2700 K 90+ CRI
 System Wattage: 10.1
 Fixture delivered lumens: 633
 Fixture Efficacy: 62.6
 Spacing Criteria: 0.42



ZONAL LUMEN SUMMARY

| Zone | Zone_Lumens | Total_Lumens | %_Luminaire |
|-------|-------------|--------------|-------------|
| 0-10 | 199.8 | 199.8 | 31.5 |
| 10-20 | 221.6 | 421.5 | 66.5 |
| 20-30 | 125.7 | 547.1 | 86.4 |
| 30-40 | 77.78 | 624.9 | 98.6 |
| 40-50 | 4.847 | 629.8 | 99.4 |
| 50-60 | 2.448 | 632.2 | 99.8 |
| 60-70 | 1.032 | 633.2 | 100 |

P9082-31-27K9

Dimming Notes:

P9082 is designed to be compatible with many Triac/Forward Phase controls.

The following is a partial list of known compatible dimmer controls.

Dimming Controls

Lutron NTELV-300

Lutron DVELV-300P

Lutron DVCL-253P

Lutron Caseta

Leviton 6681

Leviton 6672

Leviton 6674

Lutron AYLC-153P

Lutron TGCL-153PH

Lutron AYLV-600P

Lutron MAELV-600

Leviton AWRMG-EAW

Dimming capabilities will vary depending on the dimmer control, load, and circuit installation. Always refer to dimmer manufacturer instructions or a controls specialist for specific requirements.

Dimmer control brand names where identified above are trade names or registered trademarks of each respective company.