

DATE: _____ LOCATION: _____
 TYPE: _____ PROJECT: _____
 CATALOG #: _____

RATIO Flood

ULTRA COMPACT

FEATURES

- Ultra compact LED flood for lighting applications
- Part of the Ratio flood series, this luminaire was designed in cohesion with the site/area products to provide a sleek and timeless look
- Features a dense optical array, providing reduced pixelation and increased visual comfort



RATIO



RELATED PRODUCTS

- [RATIO Family](#) [RFL2](#) [RFL3](#)

SPECIFICATIONS

CONSTRUCTION

- Corrosion resistant, rugged die-cast aluminum housing with powder coat paint finish
- High impact UV stabilized acrylic outer lens protects LEDs and allows for cleaning and debris removal
- Diecast housing with hidden vertical heat dissipation while keeping a clean smooth outer surface

OPTICS

- 22 midpower LEDs
- Ambient operating temperature -40°C to 40°C
- Stock Versions: 3000K and 4000K CCT

INSTALLATION

- Traditional 1/2" x 14 NPS threaded adjustable knuckle mounting
- Easy maintenance access to electrical components with removal of 4 screws from back of fixture housing

ELECTRICAL

- NEMA distribution: Wide (7x7)
- 120–277V operation, 50/60Hz
- Driver IP66 and RoHS compliant

CERTIFICATIONS

- IP66
- Listed to UL1598 for use in wet locations

WARRANTY

- 5 year limited warranty
- See [HLI Standard Warranty](#) for additional information

STOCK ORDERING INFORMATION

Catalog Number	Mounting	Distribution	Wattage	Voltage	CCT	Lumens	Weight lbs. (KG)	Finish
RFL1-3K	Knuckle	Wide	12.4W	120–277V	3000K	1,347	1.25 (.57)	Bronze
RFL1-4K	Knuckle	Wide	12.4W	120–277V	4000K	1,410	1.25 (.57)	Bronze

KEY DATA	
Lumen Range	1347–1410
Wattage Range	12.4
Efficacy (LPW)	113
Fixture Projected Life (Hours)	L70>234,000
Weights lbs. (kg)	1.25 (0.57)

RATIO Flood

ULTRA COMPACT

ACCESSORIES AND REPLACEMENT PARTS (ORDERED SEPARATELY)

	Catalog Number	Description
<input type="checkbox"/>	S-302	Slipfits 1 1/2" or 2" pipe (1.9" OD or 2 3/8" OD) with 1/2" N.P.S.hub; Gray
<input type="checkbox"/>	S-302-M51	Slipfits 1 1/2" or 2" pipe (1.9" OD or 2 3/8" OD) with 1/2" N.P.S.hub; Bronze
<input type="checkbox"/>	S-302-M52	Slipfits 1 1/2" or 2" pipe (1.9" OD or 2 3/8" OD) with 1/2" N.P.S.hub; White

1 Specify finish color to match fixture, e.g. DB - Bronze

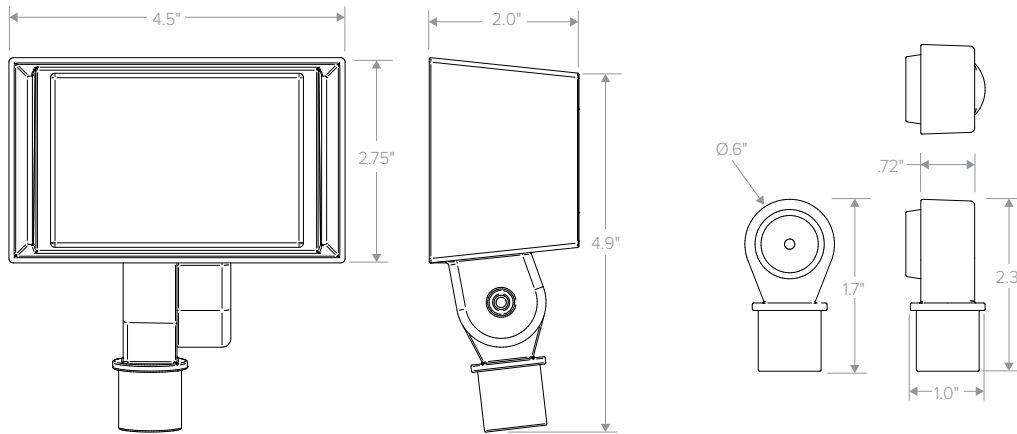


S-302-XX



TRN-XX

DIMENSIONS



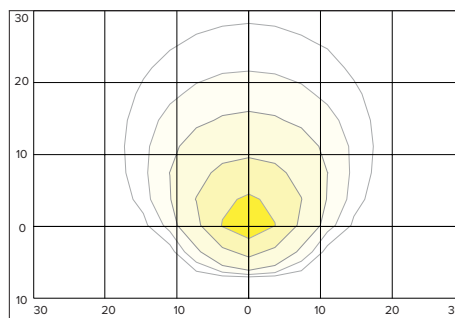
PHOTOMETRY

RFL1-4K

LUMINAIRE DATA

Test No.	18.01441
Description	4000K, 70 CRI, 7x7 Distribution
Delivered Lumens	1405
Watts	12.4
Efficacy	113
Mounting	Ground
Spacing Criterion	N/A

POLAR GRAPH



5.0 FC
 1.0 FC
 2.0 FC
 0.5 FC

ADDITIONAL INFORMATION

SHIPPING INFORMATION

Catalog Number	G.W (kg)/CTN	Carton Dimensions		
		Length Inch (cm)	Width Inch (cm)	Height Inch (cm)
RFL1	1.25lbs (0.57kg)	4.72 (12.0)	4.13 (10.5)	.14 (8.0)

All product and company names, logos and product identifiers are trademarks™ or registered trademarks® of Hubbell Lighting, Inc. or their respective owners. Use of them does not necessarily imply any affiliation with or endorsement by such respective owners.