

DATE: _____ LOCATION: _____
 TYPE: _____ PROJECT: _____
 CATALOG #: _____

RATIO Flood

COMPACT

FEATURES

- Compact LED flood with a variety of NEMA distributions for lighting applications such as: safety/security, accent, flag pole, columns or signs
- Part of the Ratio flood series, this luminaire was designed in cohesion with the site/area products to provide a sleek and timeless look
- Features a dense optical array, providing reduced pixelation and increased visual comfort without compromising performance



RATIO



[RFL2](#)

[RFL3](#)

RELATED PRODUCTS

- [RATIO Family](#)
- [Boxes and Covers](#)

SPECIFICATIONS

CONSTRUCTION

- Corrosion resistant, rugged die-cast aluminum housing with powder coat paint finish
- High impact UV stabilized acrylic outer lens protects LEDs and allows for cleaning and debris removal
- Internal venting fins create optimal heat dissipation and allow all water to drain from the face of the luminaire
- Lens hardware is internal to the fixture allowing for uniform pressure on the gasket for an optimal water tight seal

OPTICS

- 44 or 90 midpower LEDs
- Stock Versions: 4000K and 5000K CCT
- Variety of NEMA distributions: - N (2x2), M (4x4) and W (6x6) - Stock version Wide (6x6) only
- Entire optical aperture illuminates to create a larger luminous surface area resulting in a low glare appearance without sacrificing optical performance

INSTALLATION

- Traditional ½" x 14 NPS threaded adjustable knuckle mounting
- Easy maintenance access to electrical components with removal of 4 screws from back of fixture housing
- Trunnion mount available (sold separately)

ELECTRICAL

- 120–277V operation, 50/60Hz
- Driver IP66 and RoHS compliant driver
- 10kV surge protector optional
- 0–10V dimming driver standard, continuous dimming option to have leads pulled out for easy connection
- Drivers have 90% power factor and less than 20% THD
- LED drivers have output power over-voltage, over-current protection and short circuit protection with auto recovery
- Dimming drivers are standard, but must contact factory to request wiring leads for purpose of external dimming controls

CERTIFICATIONS

- Fixture is IP66 rated
- Listed to UL1598 for use in wet locations
- This product qualifies as a “designated country construction material” per FAR 52.225-11 Buy American–Construction Materials under Trade Agreements effective 04/23/2020. See [Buy American Solutions](#)

WARRANTY

- 5 year limited warranty
- See [HLI Standard Warranty](#) for additional information

KEY DATA	
Lumen Range	3245–6823
Wattage Range	26–52
Efficacy Range (LPW)	126–142
Fixture Projected Life (Hours)	L70>191,000
Weights lbs. (kg)	3.7–5.5 (6.12–10.8)

RATIO Flood

COMPACT

STOCK ORDERING INFORMATION

Catalog Number	Mounting	Distribution	Wattage	Voltage	CCT	Lumens	LPW	Weight lbs. (KG)	Finish
RFL2-25-4K	Knuckle	Wide	26	120-277V	4000K	3327	127	3.7 (1.68)	Bronze
RFL2-25-5K	Knuckle	Wide	26	120-277V	5000K	3245	124	3.7 (1.68)	Bronze
RFL2-25-4K-PC	Knuckle	Wide	26	120-277V	4000K	3327	127	3.7 (1.68)	Bronze
RFL2-25-5K-PC	Knuckle	Wide	26	120-277V	5000K	3245	124	3.7 (1.68)	Bronze
RFL3-40-4K	Knuckle	Wide	34	120-277V	4000K	4551	134	5.5 (2.50)	Bronze
RFL3-40-5K	Knuckle	Wide	34	120-277V	5000K	4439	131	5.5 (2.50)	Bronze
RFL3-40-4K-PC	Knuckle	Wide	34	120-277V	4000K	4551	134	5.5 (2.50)	Bronze
RFL3-40-5K-PC	Knuckle	Wide	34	120-277V	5000K	4439	131	5.5 (2.50)	Bronze
RFL3-50-4K	Knuckle	Wide	52	120-277V	4000K	6823	131	5.5 (2.50)	Bronze
RFL3-50-5K	Knuckle	Wide	52	120-277V	5000K	6654	128	5.5 (2.50)	Bronze
RFL3-50-4K-PC	Knuckle	Wide	52	120-277V	4000K	6823	131	5.5 (2.50)	Bronze
RFL3-50-5K-PC	Knuckle	Wide	52	120-277V	5000K	6654	128	5.5 (2.50)	Bronze

ORDERING GUIDE

Example: RFL2-44L-25-4K7-M-UNV-K-DBT-CD-SP

CATALOG #

Model	Nominal Lumens	CCT/CRI	Distribution	UNV Voltage	K Mounting	Color
RFL2 Ratio Flood Size 2	44L-25 44 LED-3000lm 90L-40 90 LED-5000lm	3K7 3000K, 70 CRI 4K7 4000K, 70 CRI	N Narrow, 2x2 M Medium Flood, 4x4 W Wide Flood, 6x6	UNV Universal 120-277	K Knuckle	BLT Black Matte Textured BLS Black Gloss Smooth DBT Dark Bronze Matte Textured DBS Dark Bronze Gloss Smooth GTT Graphite Matte Textured LGS Light Grey Gloss Smooth PSS Platinum Silver Smooth WHT White Matte Textured WHS White Gloss Smooth VGT Verde Green Textured Color Option CC Custom Color
RFL3 Ratio Flood Size 3	90L-50 90 LED-7000lm	5K7 5000K, 70 CRI				

Control Options	Options
CD Continuous Dimmable	SP Surge Protector, 10kA Surge Protector
PC Button Photcontrol	

ACCESSORIES AND REPLACEMENT PARTS (ORDERED SEPARATELY)

Catalog Number	Description
<input type="checkbox"/> TRN-XX ¹	Trunnion adapter for 1/2" threaded knuckle mount

¹ Specify finish color to match fixture, e.g. DB - Bronze



TRN-XX

RATIO Flood

COMPACT

PERFORMANCE DATA

Series	Nominal Watts	Dist. Type	NEMA	Field Angle H° X V°	5K (5000K nominal, 70 CRI)			4K (4000K nominal, 70 CRI)			3K (3000K nominal, 70 CRI)		
					Lumens	LPW ¹	Max Beam Candlepower	Lumens	LPW ¹	Max Beam Candlepower	Lumens	LPW ¹	Max Beam Candlepower
RFL2	25	N	2 x 2	20 x 20	3308	129	56009	3391	132	57425	3285	128	55632
		M	4 x 4	57 x 57	3124	121	7180	3203	124	7588	3103	120	7426
		W	6 x 6	105 x 105	3245	124	1848	3327	127	1895	3223	123	1836
RFL3	40	N	2 x 2	20 x 20	4525	136	76622	4639	139	69924	4494	135	76107
		M	4 x 4	57 x 57	4273	127	10228	4382	130	10486	4245	126	10159
		W	6 x 6	105 x 105	4439	131	2528	4551	134	2592	4409	130	2511
	50	N	2 x 2	20 x 20	6784	133	114868	6956	136	117772	6739	132	114095
		M	4 x 4	57 x 57	6408	125	17055	6569	128	17486	6364	124	16940
		W	6 x 6	105 x 105	6654	128	3791	6823	131	3886	6610	127	3765

¹ Lumen values are from photometric tests performed in accordance with IESNA LM-79-08. Data is considered to be representative of the configurations shown. Actual performance may differ as a result of end-user environment and application.

ELECTRICAL DATA

# LEDS	Nominal Wattage	Input Voltage	Oper. Current (Amps)	System Power (W)
RFL2	25	120	0.22	26.0
		208	0.13	
		240	0.11	
		277	0.09	
RFL3	40	120	0.28	33.8
		208	0.16	
		240	0.14	
		277	0.12	
	50	120	0.43	51.7
208		0.25		
240		0.22		
		277	0.19	

PROJECTED LUMEN MAINTENANCE

Ambient Temperature	OPERATING HOURS					Calculated L70 (Hours)
	0	25,000	50,000	TM-21-11 60,000 ¹	100,000	
25°C / 77°F	1.00	0.96	0.94	0.91	0.83	> 191,000
40°C / 104°F	0.99	0.95	0.93	0.93	0.81	> 173,000

LUMINAIRE AMBIENT TEMPERATURE FACTOR (LATF)

Ambient Temperature		Lumen Multiplier
0° C	32° F	1.03
10° C	50° F	1.01
20° C	68° F	1.00
25° C	77° F	1.00
30° C	86° F	0.99
40° C	104° F	0.98
50° C	122° F	0.97

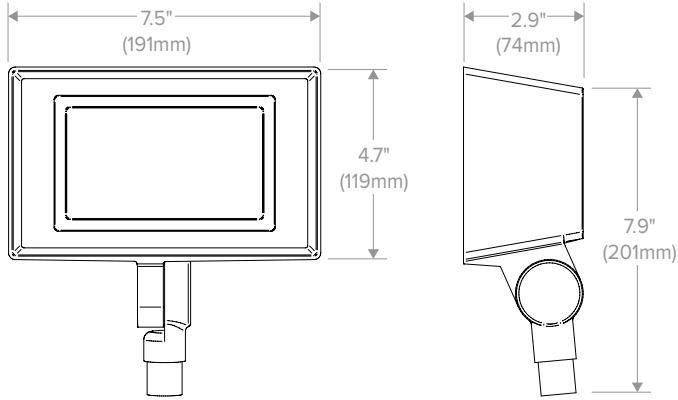
Use these factors to determine relative lumen output for average ambient temperatures from 0–40°C (32–104°F)

RATIO Flood

COMPACT

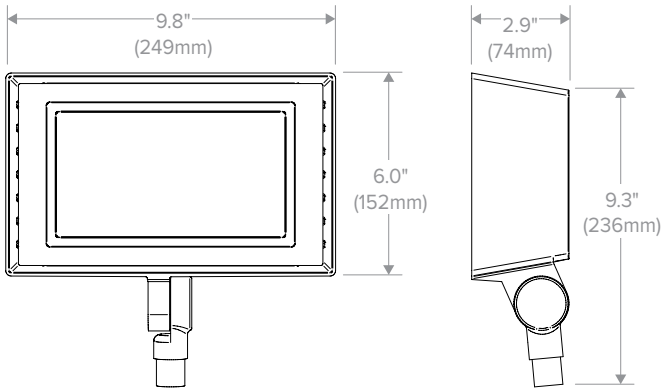
DIMENSIONS

RFL2



RFL2 EPA(Front/Side)
0.34ft² / 0.17ft²

RFL3



RFL3 EPA(Front/Side)
0.97ft² / 0.20ft²

ADDITIONAL INFORMATION

SHIPPING INFORMATION

Catalog Number	G.W (kg)/CTN	Carton Dimensions		
		Length Inch (cm)	Width Inch (cm)	Height Inch (cm)
RFL2	3.7lbs (1.68kg)	20.75 (52.7)	15.125 (38.4)	6.9375 (17.6)
RFL3	5.5lbs (2.50kg)	25 (63.5)	15.125 (38.4)	6.9375 (17.6)