

Catalog # 40RAC

PUSH-IN CABLE CONNECTORS

3/8 IN. ARMORED CABLE CONNECTOR, .470- .610

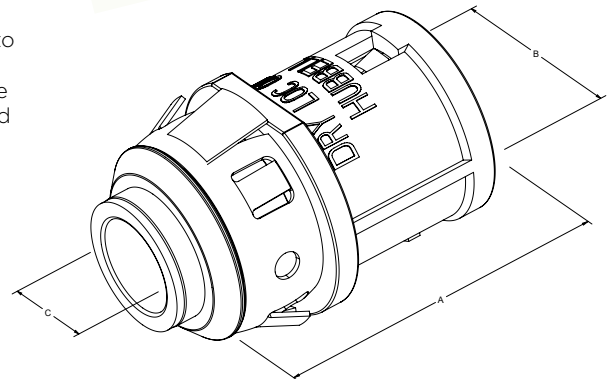
FEATURES

- Rugged one-piece design provides fast tool-free install
- Fits standard 1/2" knockouts in electrical boxes or enclosures
- Both connectors designed to terminate MC, MCI-A, AC, AC HCF, MCI-A HFC, MC-PCS AND RWFMC
- Tinted blue inside to indicate larger cable range
- Die-cast zinc construction with nylon anti-short bushing
- For use in dry locations

APPLICATIONS

RACO's new Push-in cable connectors make it easy to secure metal-clad cable into boxes or enclosures. Simply insert a cable into the cable opening, then snap the box end of the connector into a box knockout, done! No tools needed for a secure assembly. Push-in connectors are perfect for new or old work and can be removed and reused.

CERTIFICATIONS



GENERAL PRODUCT INFORMATION

TRADE SIZE: 3/8 IN

DRAWING DIMENSIONS

DIMENSION A: 1.44 IN.

DIMENSION B: 0.63 IN.

DIMENSION C: 0.41 IN.

PACKAGING

PACKAGE TYPE: CARTON

UNIT CARTON QTY: 50

PRODUCT UPC-A LABELED: NO

UPC: 050169000403

WEIGHT (LBS. PER/C): 14.80

SHIP CARTON LENGTH (IN.): 20.95

SHIP CARTON WIDTH (IN.): 9.74

SHIP CARTON HEIGHT (IN.): 7.94

CTN WEIGHT (LBS.): 35.49

UNIT CARTON I2OF5: 30050169000404

SHIP CARTON I2OF5: 50050169000408