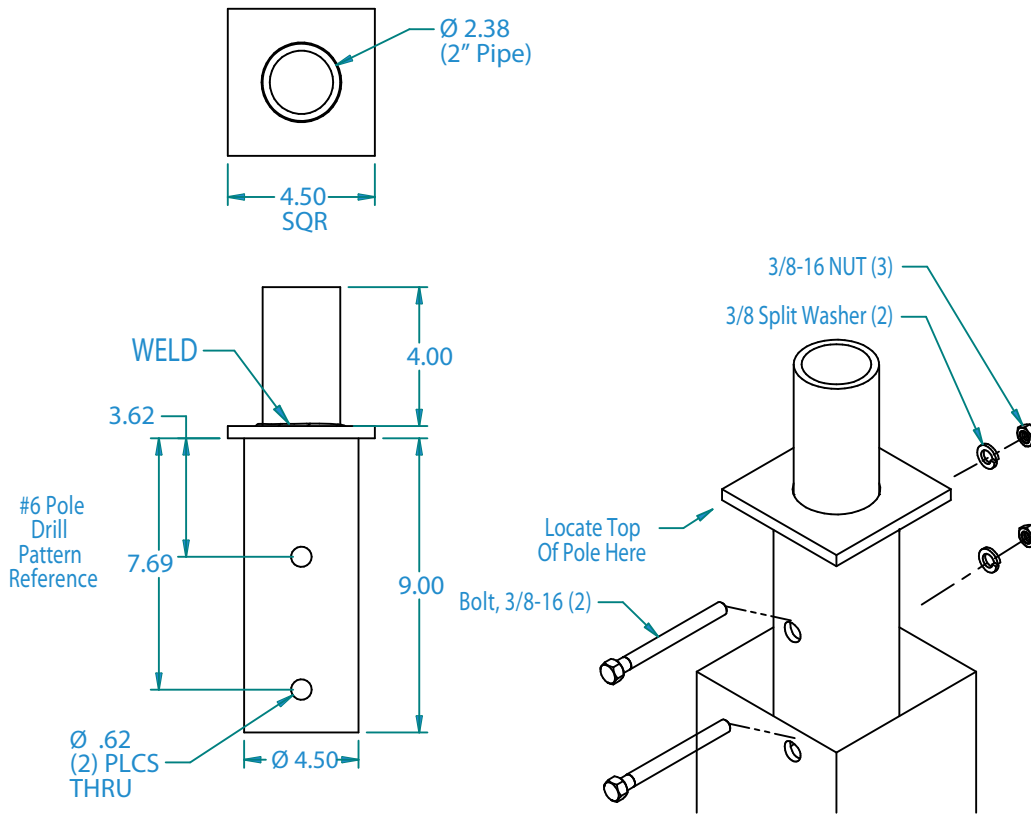


Dimensions



Not Compatible with 3 Guage Poles



Mounting Notes

1. At top of pole, insert tenon reducer until top of pole locates at bottom of middle plate.
2. In case of missing holes, drill appropriately sized holes at distances seen in figure above to ensure access to all screws.
3. Insert (2) 3/8-16 bolts through the pole and adapter, and secure with (2) split washers and (2) nuts.

Warning

To avoid damaging supply wiring, drill all necessary holes in poles, arms, or mounting brackets BEFORE pulling supply wires.

Shipping Package Contents

TT1A-4 Tenon Adapter (1)
3/8-16 Bolt (2)
2/8-16 Nut(2)
3/8 Split Washer (2)

Material: Steel
Finish: Powder Paint
Weight: 10 lbs.