



RETA FOUR FIXTURE ROUND POLE ADAPTER

TENON TOP ACCESSORY

The RETA round pole adapter enables mounting fixed arm fixtures to tenon top poles.

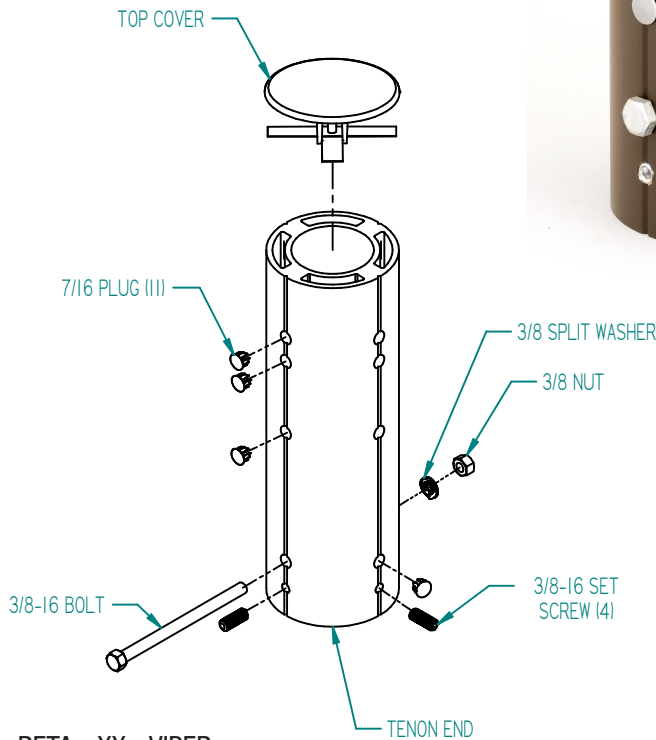
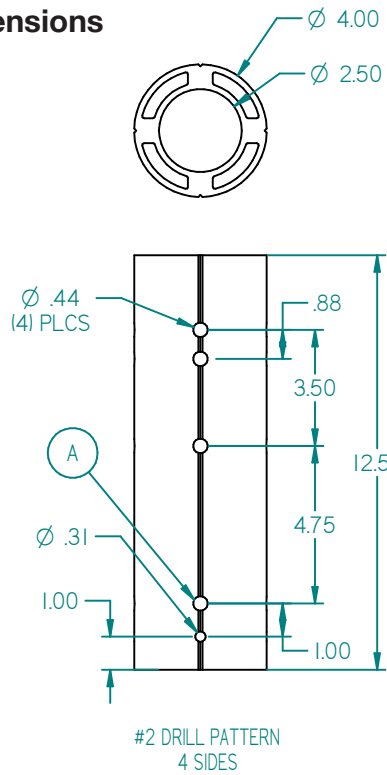
The RETA is an aluminum fitter that will fit all tenons measuring from 2 3/8" OD to 2 7/8" OD.

The RETA is pre-drilled on four sides and plugged on three sides for mounting the extremely popular Beacon Viper LED fixtures. These round pole adapters will enable single, double at 45°, double at 90°, double at 180°, triple at 90° and quad mountings, providing versatility and ease of installation.

The RETA is perfect for mounting fixed arm fixtures to round tenon top aluminum and steel poles, enhancing the look of all round pole assemblies.

The adapter is stocked in the most popular standard colors and is shipped with all necessary mounting hardware. With the addition of the round pole adapter included in all Viper fixtures, the RETA is the only accessory required for quick mounting to any tenon.

Dimensions



Ordering Information

Ordering Example: RETA - XX - VIPER

Stocked Fitters

RETA-DB-VIPER

RETA-PS-VIPER

RETA		-	-	VIPER	
Series		COLOR		DRILLING	
RETA	ROUND ALUMINUM TENON TOP FITTER	BL	BLACK	VIPER	DRILLED QUAD FOR VIPER LED
		DB	DARK BRONZE		
		FG	FOREST GREEN		
		GR	GREEN		
		PS	PLATINUM SILVER		
		RD	RED		
		WH	WHITE		

¹ Must provide RAL color number at time of ordering

² Must provide color chip sample at time of ordering

Web: www.securitylighting.com

2100 Golf Road, Suite 460, Rolling Meadows, IL 60008-4704

Phone: 1-800-LIGHT IT, 1-800-544-4848, Fax: 847-279-0642

Copyright ©2016 Security Lighting, a division of Hubbell Lighting, Inc.

All Rights Reserved. • Specifications subject to change without notice. • Printed in U.S.A. • SLS0128 06/17

