

DATE:	LOCATION:
TYPE:	PROJECT:
CATALOG #:	

# CWP

WRAP LUMINAIRE

tradeSELECT®

## FEATURES

- 4,000 nominal lumens
- Up to 124 lumens per watt
- Choice of two color temperatures
- 0–10V dimming, standard
- Wide range of applications
- Universal Voltage (120–277V)
- 80+ CRI



## SPECIFICATIONS

### CONSTRUCTION

- Efficient 4' LED wrap style fixture

### OPTICS

- Frosted acrylic lens

### INSTALLATION

- Fully assembled for quick installation

### ELECTRICAL

- 54,000 hour LEDs at L70 for reduced maintenance

### CERTIFICATIONS

- All luminaires are built to UL1598 standards and bear appropriate UL labels
- Damp location label standard
- DLC® (DesignLights Consortium Qualified). Please refer to the DLC website for specific product qualifications at [www.designlights.org](http://www.designlights.org)

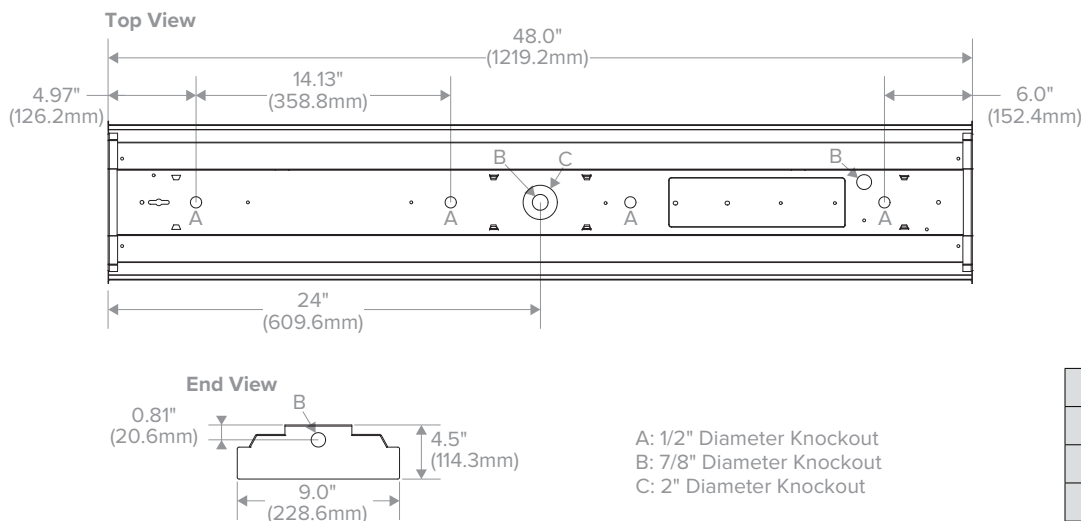
### WARRANTY

- 5 year warranty
- See [HLI Standard Warranty](#) for additional information

## ORDERING GUIDE

Catalog Number	Description	Delivered Lumens	Watts	LPW	Qty on Pallet
CWP4-4035	4ft LED Wrap, 3500K, 0–10V dimming	4584	37	124	33
CWP4-4040	4ft LED Wrap, 4000K, 0–10V dimming	4584	37	124	33

## DIMENSIONS



KEY DATA	
Lumens	4584
Wattage	36.9
Efficacy (LPW)	124
Reported Life (Hours)	L70/54,000

**PHOTOMETRY**

**CWP4-4035**

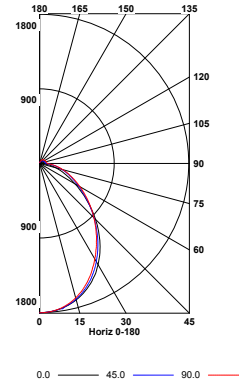
**LUMINAIRE DATA**

Test No.	17623
Description	48" x 9" LED wrap with white reflector and prismatic acrylic lens
Delivered Lumens	4584
Watts	36.86
Efficacy	124
Mounting	Recessed
Spacing Criterion	0° = 1.17 90° = 1.11

**ZONAL LUMEN SUMMARY**

Zone	Lumens	% Luminaire
0-30	1345	29.3
0-40	2124	46.3
0-60	3450	75.3
0-90	4303	93.9
0-180	4584	100

**POLAR GRAPH**



**CWP4-4040**

**LUMINAIRE DATA**

Test No.	17776
Description	48" x 9" LED wrap with white reflector and prismatic acrylic lens
Delivered Lumens	4584
Watts	36.86
Efficacy	124
Mounting	Recessed
Spacing Criterion	0° = 1.17 90° = 1.11

**ZONAL LUMEN SUMMARY**

Zone	Lumens	% Luminaire
0-30	1345	29.3
0-40	2124	46.3
0-60	3450	75.3
0-90	4303	93.9
0-180	4584	100

**POLAR GRAPH**

