



LIGHTHAWK2 DIMMING

Dimming Wall Switch Occupancy Sensors



The LightHAWK2 Dimming Wall Switch Sensor combines passive infrared (PIR) technology with the additional energy savings of 0-10V dimming. The user can set the occupied level to a predetermined level or set the sensor to activate to the last-used dimming level. With ON/OFF and Dimming Control, the user can easily adjust the light level for their area. This sensor has a coverage area of up to 1,000 square feet and 180° of detection.

LHIR sensors feature Hubbell Controls' patented IntelliDAPT® technology, which makes all the sensor adjustment decisions automatically. Throughout the product's lifespan, smart software analyzes the controlled area and makes digital adjustments to sensitivity and timer settings. Occupancy sensors with IntelliDAPT provide a maintenance-free install-and-forget operation. With selectable operating modes — automatic ON/OFF or manual ON/automatic OFF, occupancy on to predetermined dimming level go to last dimming setting upon occupancy — and a built-in photosensor for automatic daylight harvesting, LHIRS sensors are the best choice in today's market place.

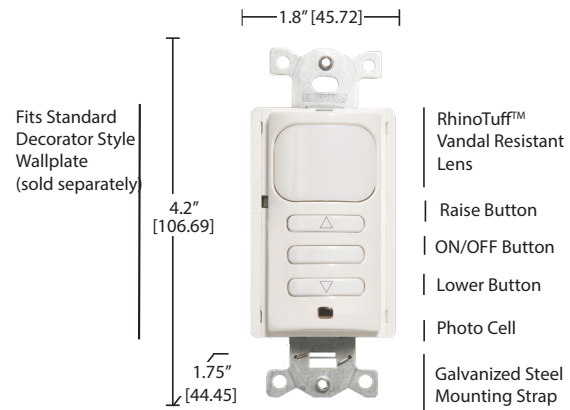
Product Features

- Digital passive infrared (PIR) sensor
- IntelliDAPT self-adaptive technology—no manual adjustment required
- 1 relay model for single-level switching
- Occupancy (auto-on) and Vacancy (manual-on) operating modes
- 1,000 square-foot, 180° coverage area
- RhinoTuff™ vandal resistant lens
- 120/277VAC operation
- No minimum load requirement
- Zero Arc Point Switching
- Five-year warranty
- 120-277 Vac and 347 Vac models

Compliance and Certification



Dimensional Data



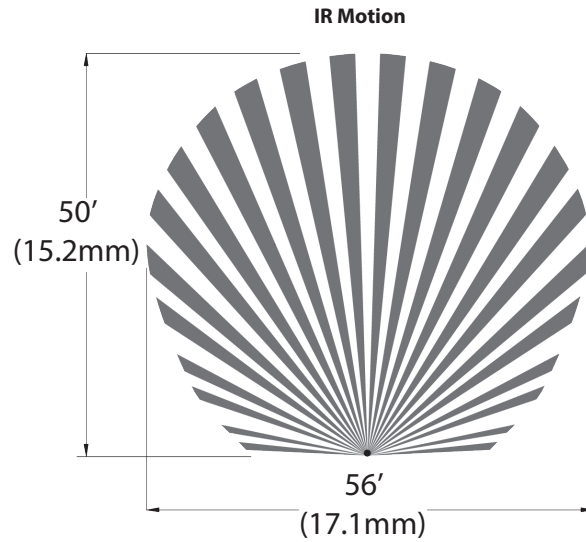
Ordering Information

MODEL	BUTTONS	WIRING	COLOR	MODE
LHD-IRS LightHAWK2™ Dimming Passive Infrared Single Relay	3 3	N Neutral (120/277V) N347 Neutral (347V)	WH White IV Ivory LA Light Almond GY Gray BK Black	Blank Switchable Vacancy or Occupancy Mode M Vacancy Mode Only

LIGHTHAWK2 DIMMING

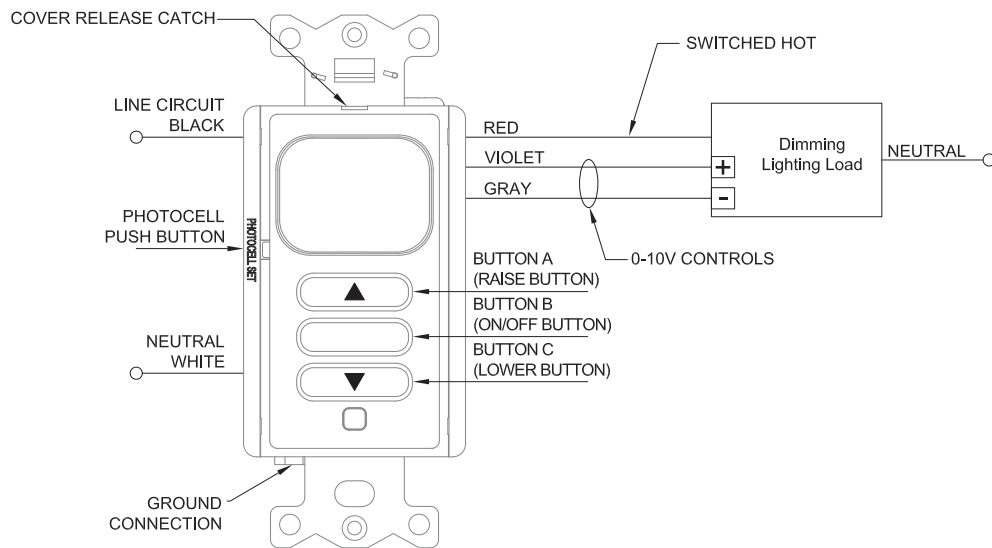
Dimming Wall Switch Occupancy Sensors

Coverage Pattern



Wiring Diagram

Single Load Wiring





LIGHTHAWK2 DIMMING

Dimming Wall Switch Occupancy Sensors

General Specifications

IntelliDAPT Technology	Self-adjusting timer Self-adjusting Ultrasonic (US) and passive infrared (PIR) sensitivity Automatic false-on/ false-off corrections No manual adjustments required
Time Delay	Auto mode: 4-30 minutes; self-adjusts based on occupancy Fixed mode: 4, 8, 15, and 30 minutes Test mode: 5 seconds
Passive Infrared (PIR)	Dual-element pyrometer and 12-element cylindrical RhinoTuff lens
Dimming	0-10V, Sink up to 30mA
Photocell	Natural light override range: 10-500 foot-candles
Coverage	1,000 square-foot, 180° coverage area
Power Requirements	120/277VAC; 50/60Hz 347VAC; 50/60Hz
Electrical Ratings	120VAC: 800W Incandescent/ Electronic Ballast/ LED Driver: 1,000W Magentic Ballast 1/6 HP Motor 277VAC: 1,800W Magnetic Ballast/ Electronic Ballast/ LED Driver: 1/6 HP Motor 347VAC: 1,500W Magnetic Ballast/ Electronic Ballast/ LED Driver: 1/6 HP Motor
Operating Environment	Indoor use only Operating temperature: 32° to 104°F (0° to 40°C) Relative humidity (non-condensing): 0% to 95%
Construction	Casing- high- Impact injection-molded plastic (UL-94-5V) Impact-resistant lens Color- coded leads are 6" (152.4mm) long Wrap-around galvanized steel mounting strap
Dimensions	4.2" H x 1.8"W x 1.75"D; .37" extension (106.69mm H x 44.45mm D; 9.40mm ext.)
Weight	2.9 oz (82.21g)
Color	White; Ivory; Light Almond; Gray; Black
Mounting	Single-gang NEMA-style switch box (standard switch box) Decorator-style wall plate sold separately
Warranty	Five-year limited