



LIGHTHAWK2 PASSIVE INFRARED WALL SWITCH SENSOR

Wall Switch Occupancy Sensors



The LightHAWK2 Passive Infrared Wall Switch Sensor uses passive infrared (PIR) technology to detect motion. The most affordable of the motion detecting technologies, this sensor type is ideal for detecting large motion in areas with an unobstructed view of the sensor. This sensor has a coverage area of up to 1,000 square feet and 180° of detection.

LHIR sensors feature Hubbell Controls' patented IntelliDAPT™ technology, which makes all the sensor adjustment decisions automatically. Throughout the product's lifespan, smart software analyzes the controlled area and makes digital adjustments to sensitivity and timer settings. Occupancy sensors with IntelliDAPT technology provide a maintenance-free install-and-forget operation. With selectable operating modes — automatic ON/OFF or manual ON/automatic OFF — and a built-in photosensor for automatic daylight harvesting, LHIR sensors are the best choice in today's market place.

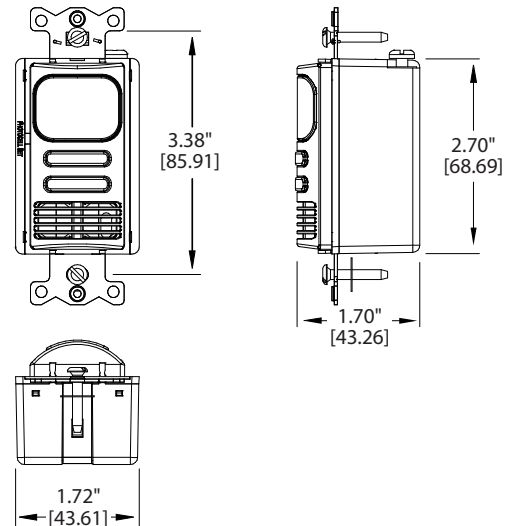
Product Features

- Digital passive infrared (PIR) sensor
- IntelliDAPT self-adaptive technology—no manual adjustment required
- Dual circuit has isolated relays
- Occupancy (auto-on) and Vacancy (manual-on) operating modes
- Available with or without Neutral
- 1,000 square-foot, 180° coverage area
- RhinoTuff™ vandal resistant lens
- 120/277VAC operation
- No minimum load requirement
- Zero Arc Point Switching
- Five-year limited warranty
- 120-277 Vac and 347 Vac models
- Low voltage device: 24 VDC

Compliance and Certification



Dimensional Data



Ordering Information

MODEL	WIRING	COLOR	MODE
LHIRS0 Passive Infrared, Single Relay, No Button	G Ground (120/277V)	WH White	(Blank) Switchable Vacancy or Occupancy Mode
LHIRS1 Passive Infrared, Single Relay, One Button	N Neutral (120/277V)	IV Ivory	M Vacancy Mode Only
LHIRD0 Passive Infrared Technology, Dual Relay (One Input / Two Outputs), No Buttons	24V* Low Voltage	LA Light Almond	
LHIRD2 Passive Infrared Technology, Dual Relay (One Input / Two Outputs), Two Buttons	G347 Ground (347V)	GY Gray	
LHDCIRD0 Passive Infrared Technology, Dual Circuit (Two Inputs / Two Outputs), No Buttons	N347 Neutral (347V)	BK Black	
LHDCIRD2 Passive Infrared Technology, Dual Circuit (Two Inputs / Two Outputs), Two Buttons			

*Not available with LHDCIRD versions
-Low voltage sensors require a power pack that is sold separately

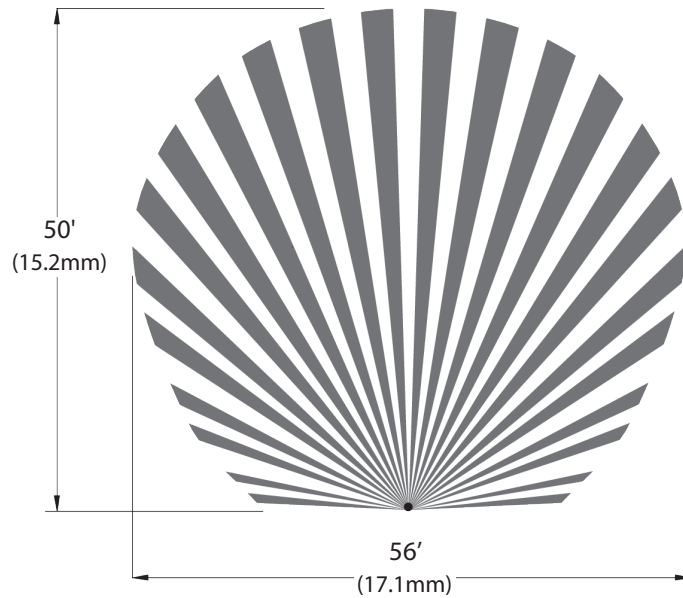


LIGHTHAWK2 PASSIVE INFRARED WALL SWITCH SENSOR

Wall Switch Occupancy Sensors

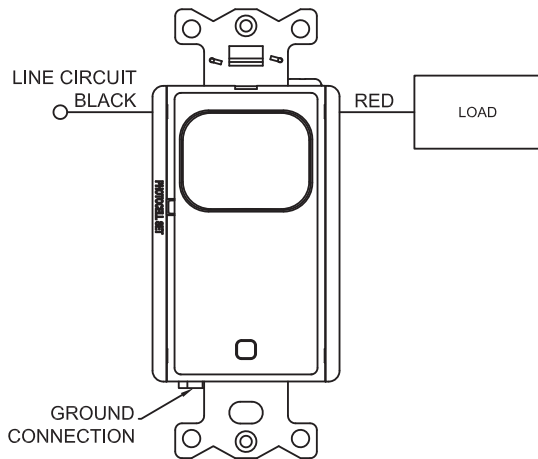
Coverage Pattern

IR Motion

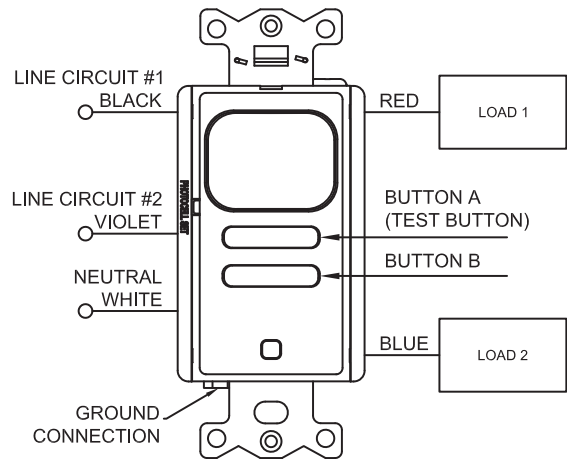


Wiring Diagrams

Single Load Wiring
Without Neutral



Dual Load Wiring
With Neutral

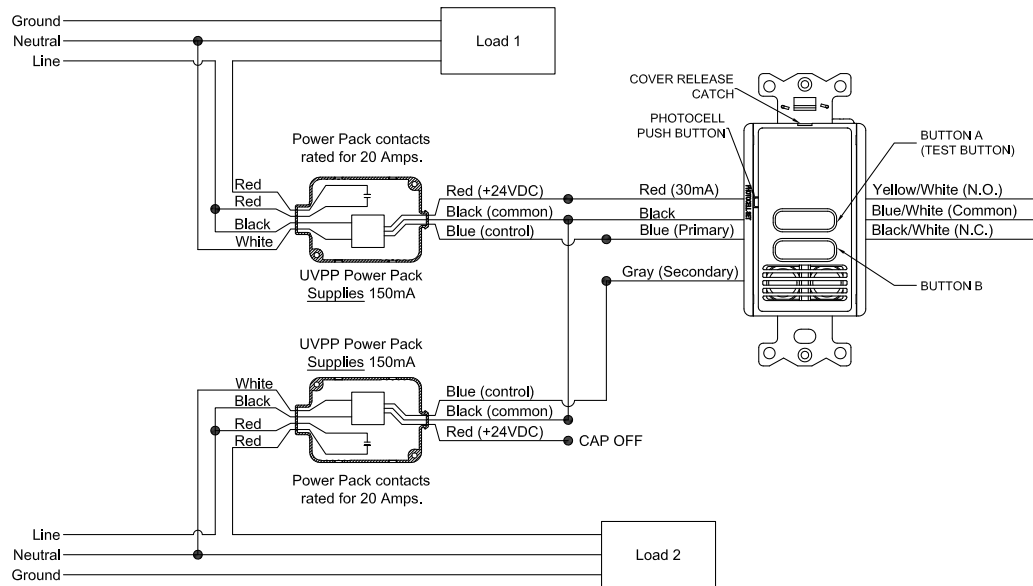


LIGHTHAWK2 PASSIVE INFRARED WALL SWITCH SENSOR

Wall Switch Occupancy Sensors

Wiring Diagrams

Low Voltage Dual Level Control with Two Power Packs



General Specifications

IntelliDAPT Technology	Self-adjusting timer Self-adjusting passive infrared (PIR) sensitivity Automatic false-on/ false-off corrections No manual adjustments required
Time Delay	Auto mode: 4-30 minutes; self-adjusts based on occupancy Fixed mode: 4, 8, 15, and 30 minutes Test mode: 5 seconds
Passive Infrared (PIR)	Dual-element pyrometer and 12-element cylindrical RhinoTuff lens
Photocell	Natural light override range: 10-500 foot-candles
Coverage	1,000 square-foot, 180° coverage area
Power Requirements	120/277VAC; 50/60Hz 347VAC; 50/60Hz 24VDC (requires UVPP)
Electrical Ratings	120VAC: 800W Incandescent/ Electronic Ballast/ LED Driver: 1,000W Magentic Ballast 1/6 HP Motor 277VAC: 1,800W Magnetic Ballast/ Electronic Ballast/ LED Driver: 1/6 HP Motor 347VAC: 1,500W Magnetic Ballast/ Electronic Ballast/ LED Driver: 1/6 HP Motor
Minimum Load Requirement	None
Operating Environment	Indoor use only Operating temperature: 32° to 104°F (0° to 40°C) Relative humidity (non-condensing): 0% to 95%
Construction	Casing- high- Impact injection-molded plastic (UL-94-5V) Impact-resistant lens Color- coded leads are 6" (152.4mm) long Wrap-around galvanized steel mounting strap
Dimensions	4.2" H x 1.8"W x 1.75"D; .37" extension (106.69mm H x 44.45mm D; 9.40mm ext.)
Weight	2.9 oz (82.21g)
Color	White; Ivory; Light Almond; Gray; Black

Web: www.securitylighting.com
 2100 Sun Road, Suite 460, Rolling Meadows, IL 60008-1576
 Phone: 1-800-LIGHT-IT, 1-800-544-4848, Fax: 847-279-0642
 Copyright © 2018 Security Lighting, a division of Hubbell Lighting, Inc.
 All rights reserved. • Specifications subject to change without notice. • Printed in U.S.A. • SL_HCS 09/18