

# MPS AUXILIARY PACK

Power Packs and Relays


**MPSHD**

The MPS Auxiliary Pack is a self-contained transformer and relay (an ON/OFF switch controlled by a circuit) designed for low-voltage 24VDC occupancy sensors.

An auxiliary pack is capable of switching a 15A, (MPSA) or 20A, (MPSHD) loads and feature Zero Arc Point Switching, minimizing relay-contact wear from inrush loads. The MPS Auxiliary Packs require power from a UVPP series power pack to actuate their contact closure. The auxiliary packs are plenum rated and easily mount inside or outside of a junction box or inside a ballast or driver cavity, (given space provided).

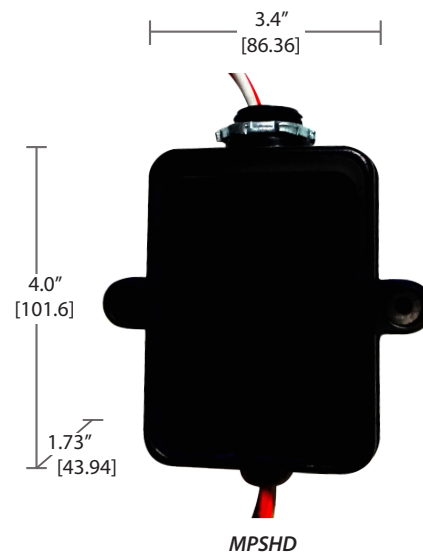
## Product Features

- Plenum rated
- Self-contained relay
- MPSA uses electrically held normally open relay
- MPSHD uses robust latching relay provides unsurpassed and unrestricted performance
- 100-277VAC, 50/60Hz
- Regulated 24 VDC current; 100 mA output
- Easily mounts inside or outside a junction box; inside a fixture
- UL and cUL listed
- Five-year limited warranty
- Manual On available in MPSHD model
- Power Indicator light in MPSHD model
- Zero Arc Point Switching

## Compliance and Certification



## Dimensional Data



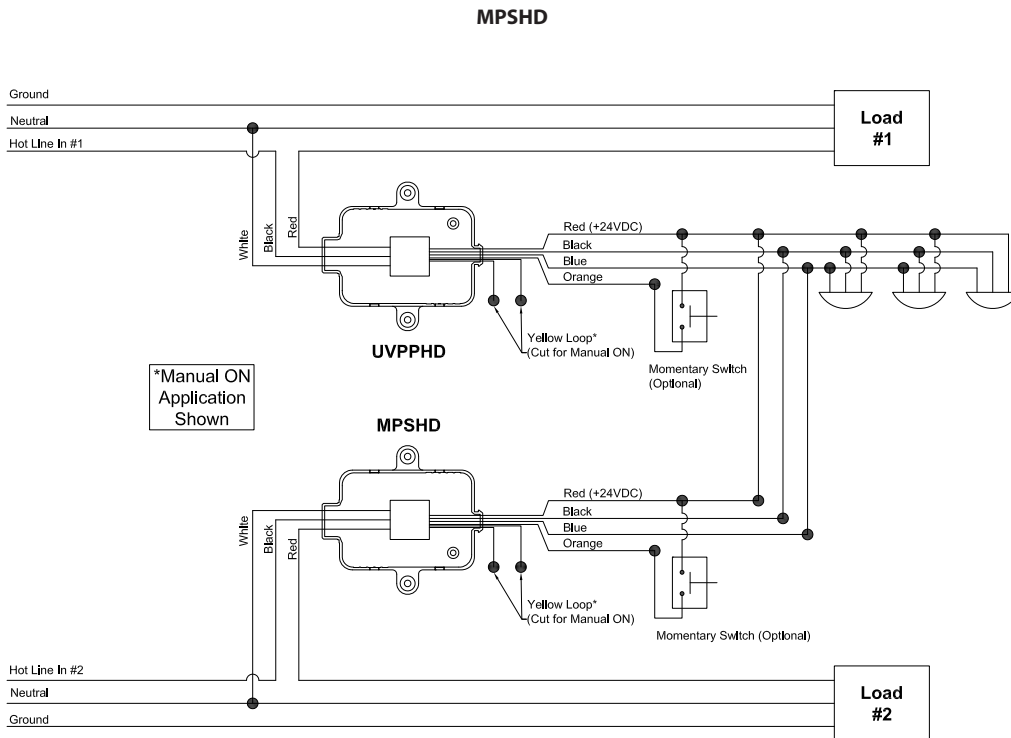
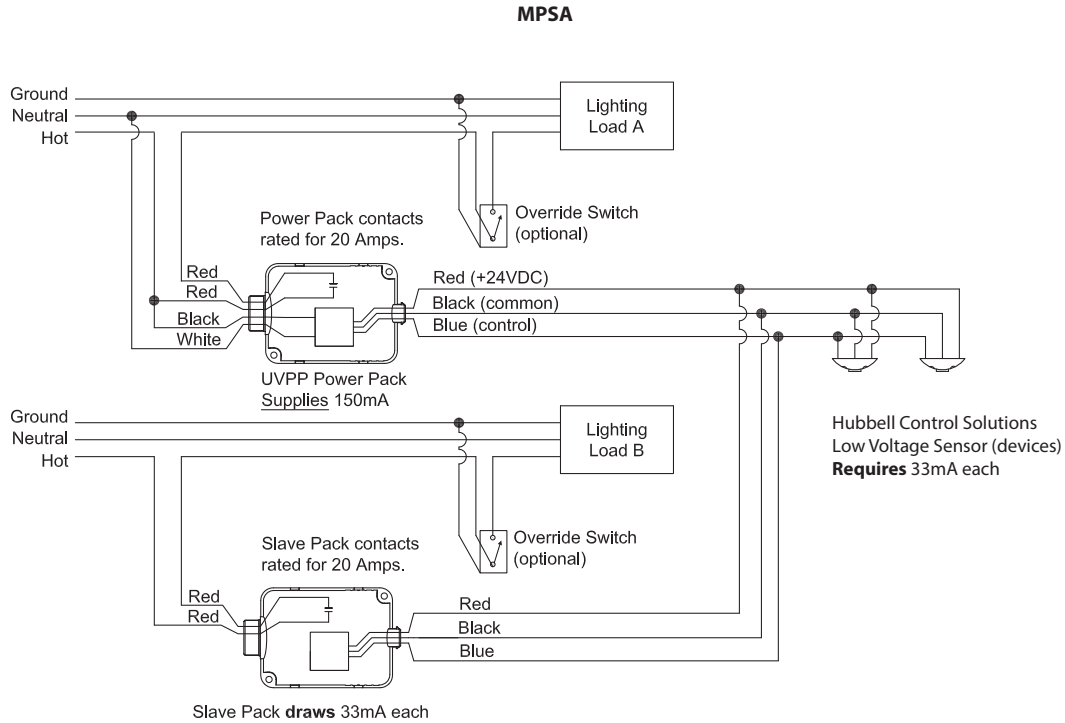
## Ordering Information

MODEL	
<b>MPSA</b>	Auxiliary Relay Device
<b>MPSHD</b>	Auxiliary Relay Device, Automatic or Manual ON/OFF Control

# MPS AUXILIARY PACK

Power Packs and Relays

## Wiring Diagram





# MPS AUXILIARY PACK

Power Packs and Relays

## General Specifications

Power Input	N/A
Control Input	24 VDC; 5mA for MPESA, 30mA for MPESHD
Relay contact rating	MPESA: 15A@120VAC Incandescent (Tungsten)      MPESHD: 20A@100-277VAC 20A@120/277VAC Ballast (Fluorescent)              1HP: 120VAC 15A@347VAC Ballast (Fluorescent)                  2HP: 240/277VAC Plenum rated Complies with requirements for use in a plenum area Plenum rated for external junction box mounting
Operating environment	Indoor use only MPESA: Operating temperature: 32°F to 104°F (0° to 40°C) Relative humidity (non-condensing): 0% to 95% MPESHD: Operating temperature: -40°F to 149°F (-40°C to 65°C) Below 32°F (0°C) must use suitably rated non-metallic enclosure Relative humidity (non-condensing): 0% to 95%
Dimensions	MPESA: 3.69" H x 2.33" W x 1.36" D (93.73mm H x 59.18mm W x 34.54mm D) MPESHD: 4.0" H x 3.4" W x 1.73" D (101.6mm H x 86.36mm W x 43.94mm D)
Weight	15 oz. (425.24g)
Color	Black
Certifications	UL and cUL listed
Housing	Flame Retardant UL 94-5VA
Warranty	Five-year limited