

SSP3 Series

SSP3-277 / SSP3-480

3-Point LED Driver Surge Protector
with 20,000 Amp Max Protection, Line-Neutral



HUBBELL
Lighting Components

Rev 09-17-2019



Features

SSP3 surge protectors are designed for use in conjunction with LED Drivers to provide an additional level of cost-effective protection against powerline disturbances in industrial and commercial applications.

- SSP3-277 is a 3-leaded device that protects all single phase coupling modes (Line-Neutral, Line-Ground & Neutral-Ground) in accordance with IEEE/ANSI C62.41-2002 select guidelines
- SSP3-480 is a 3-leaded device that protects all single phase coupling modes (Phase A, Phase B, Phase A-Ground & Phase B-Ground) in accordance with IEEE/ANSI C62.41-2002 select guidelines
- Protects against surges and transients per ANSI C62.41-2002 category C low (6KV, 1.2/50µS & 3KA, 8/20µS) standard Combo waves and (6KV, 100KHz) Ring wave
- Protects against surges and transients per new ANSI C82.77-5 2015 category C medium (10KV, 1.2/50µS & 5KA, 8/20µS) standard Combo waves and (6KV, 100KHz) Ring wave
- Basic Protection on Line-Ground (L-G) & Neutral-Ground (N-G) connections of 12,000 Amps (Max)
- Enhanced Surge Rating on Line-Neutral (L-N) connections of 20,000 Amps (Max) to protect against switching transients found in commercial electrical systems.
- Designated UL 1449 Type 5 Recognized Component in the United States and Canada
- Operating temperature: -35°C to 85°C (ambient)
- 277V Model: Protection for LED drivers capable of operating at 277V input voltage or with universal input range of 120V through 277V
- 480V Model: Protection for LED drivers capable of operating at 480V input voltage or with universal input ranges of 277V through 480V or 347V through 480V
- Meets CSA22.2 No. 269.5-17 Surge Protection Devices
- No serviceable parts (Aucune pièce remplaçable ou réparable)



Model	AC Mains Voltage	Max Continuous Operating Voltage		Measured Limiting Voltage Mode: (MLV)	Nominal Current I _n	Max Clamping Voltage 8/20 µS @ 20kA	UL 1449
		AC	DC				
SSP3-277	277V	320V	420V	L-N: 1140V L-G: 1290V N-G: 1280V	5kA	L-G: 2600V L-N: 1800V L-G: 1800V	•
SSP3-480	480V	550V	745V	L-N: 1880 L-G: 2200 N-G: 2150	5kA	LA-Ls: 2700V LA-G: 3800V Ls-G: 3800V	•

Line-Ground Neutral-Ground

Pulse rating (8 x 20 µSec)	
Strikes	Surge
1	12,000 A
2	8,000 A
100	3,000 A
1600	750 A

Line-Neutral (277V) Line_a-Line_b (480V)

Pulse rating (8 x 20 µSec)	
Strikes	Surge
1	20,000 A
2	15,000 A
15	10,000 A
100	3,000 A



SSP3 Series

SSP3-277 / SSP3-480

3-Point LED Driver Surge Protector
with 20,000 Amp Max Protection, Line-Neutral



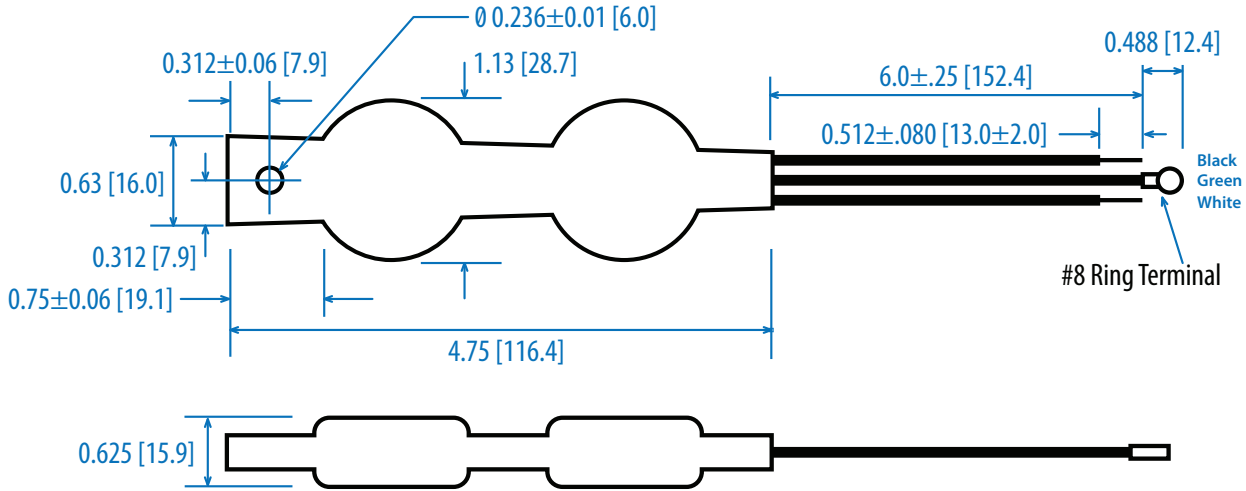
HUBBELL

Lighting Components

Dimensions

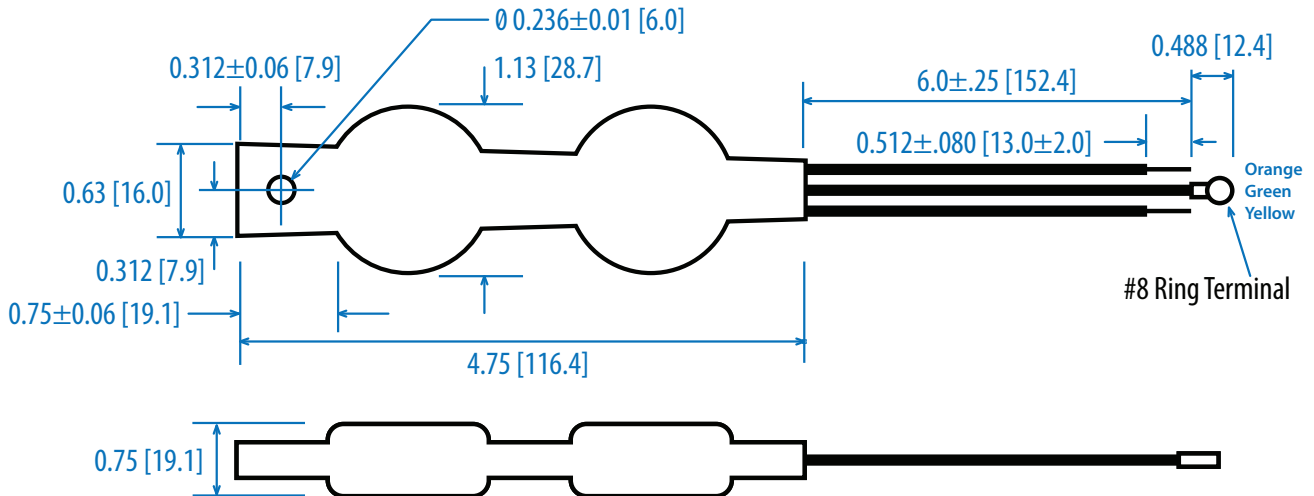
IN [mm]

SSP-277



Leads: 6", stripped 0.51"
Weight: 0.1 lbs/45g
Gauge: 14 AWG

SSP-480



Leads: 6", stripped 0.51"
Weight: 0.1 lbs/45g
Gauge: 14 AWG

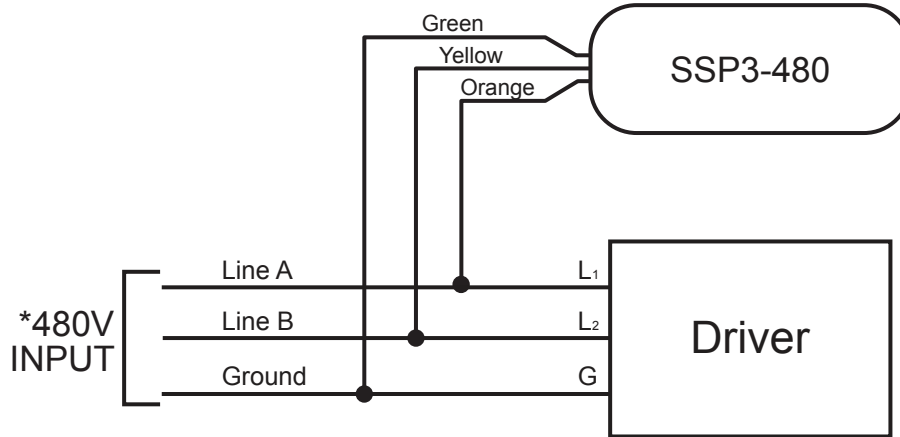
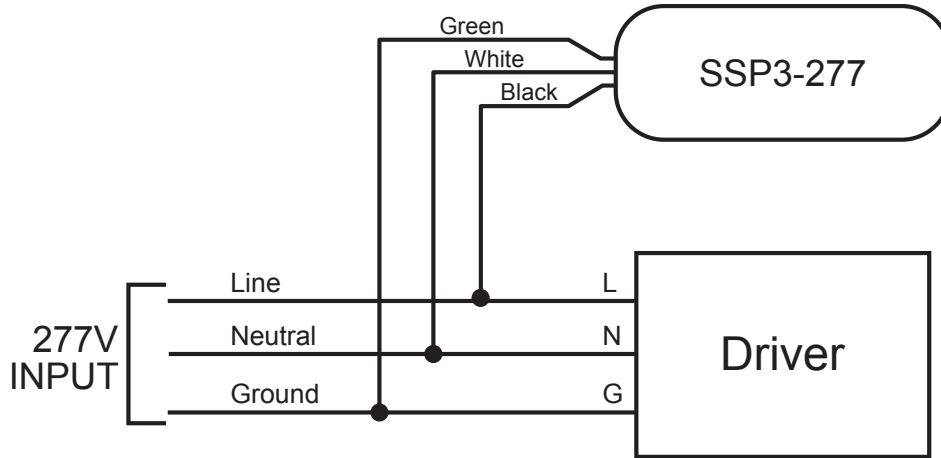
SSP3 Series
SSP3-277 / SSP3-480

3-Point LED Driver Surge Protector
with 20,000 Amp Max Protection, Line-Neutral



HUBBELL
Lighting Components

Wiring



*A single phase input from a 3-phase system uses only 2 phase line connections (A-B, B-L or C-A)