

DATE: _____ LOCATION: _____
 TYPE: _____ PROJECT: _____
 CATALOG #: _____

SGC-F CANOPY

SLING SERIES - CEILING/SURFACE/GARAGE

tradeSELECT®

FEATURES

- Commercial grade LED canopy luminaire for use in outdoor applications such a commercial building, retail, government and educational facilities
- Low profile housing with a frosted lens for reduced pixilation and glare
- Available in three wattages; 20W, 40W and 60W
- Two housing finishes including white and dark bronze
- Type 5 distribution



RELATED PRODUCTS

- ⌘ [Sling Dusk-To-Down](#) ⌘ [Sling Wall](#)



CERTIFIED

SPECIFICATIONS

CONSTRUCTION

- Rugged die-cast aluminum housing with corrosion resistant powder coat finish both protects and provides architectural appearance
- Heat dissipating fins provide superior thermal performance extending the life of the electronic components
- Housing size: 10" x 10" x 3.5"
- Lightly frosted lens for reduced LED pixilation and brightness

OPTICS

- Type 5 Distribution

ELECTRICAL

- 0-10 Volt dimmable driver
- Universal 120-277 VAC input voltage, 50/60 Hz

INSTALLATION

- 3/4" conduit entry on top for pendant mounting
- 1/2" conduit entry on three sides

- Able to mount on a minimum of 3-3.5" junction box

CERTIFICATIONS

- UL Certified
- IP65

WARRANTY

- 5 year limited warranty
- See [HLI Standard Warranty](#) for additional information

KEY DATA	
Lumen Range	3224–8043
Wattage Range	22.9–59.9
Efficacy Range (LPW)	134–141
Fixture Projected Life (Hours)	60K
Weights lbs. (kg)	4.9 (2.2)

ORDERING GUIDE

STOCK ORDERING INFORMATION

Catalog Number	Wattage	Voltage	CCT/CRI	Lumens	LPW	Finish
SGC-F-20-4K	22.9	120-277V	4000K/70	3224	Type V	Bronze
SGC-F-40-4K	41	120-277V	4000K/70	5807	Type V	Bronze
SGC-F-40-4K-WH	41	120-277V	4000K/70	5807	Type V	White
SGC-F-60-4K	59.9	120-277V	4000K/70	8043	Type V	Bronze

SGC-F CANOPY

SLING SERIES - CEILING/SURFACE/GARAGE

ELECTRICAL DATA

Nominal Wattage	Input Voltage	Oper. Current (Amps)	System Power (Watts)
20	120	0.19	22.9
	208	0.11	
	240	0.09	
	277	0.08	
40	120	0.34	41
	208	0.18	
	240	0.17	
	277	0.15	
60	120	0.50	59.9
	208	0.29	
	240	0.25	
	277	0.22	

PROJECTED LUMEN MAINTENANCE

Ambient Temperature	OPERATING HOURS					
	0	25,000	TM-21-11 36,000	50,000	100,000	L70 (Hours)
25°C / 77°F	1.00	0.95	0.93	0.90	0.81	170,000
40°C / 104°F	0.99	0.94	0.92	0.89	0.80	165,000

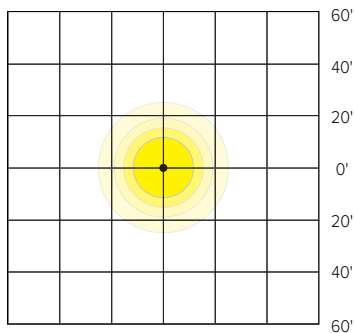
LUMINAIRE AMBIENT TEMPERATURE FACTOR (LATF)

Ambient Temperature		Lumen Multiplier
0°C	32°F	1.03
10°C	50°F	1.01
20°C	68°F	1.00
25°C	77°F	1.00
30°C	86°F	0.99
40°C	104°F	0.98

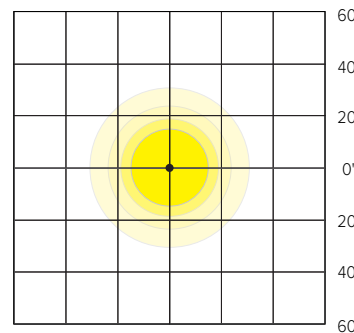
Use these factors to determine relative lumen output for average ambient temperatures from 0-40°C (32-104°F).

PHOTOMETRY

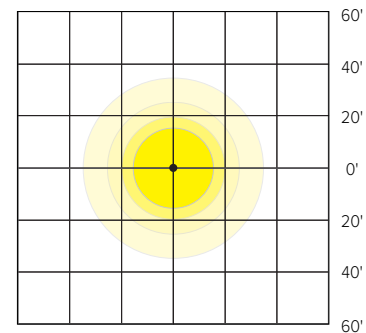
SGC-F-20-4K



SGC-F-40-4K



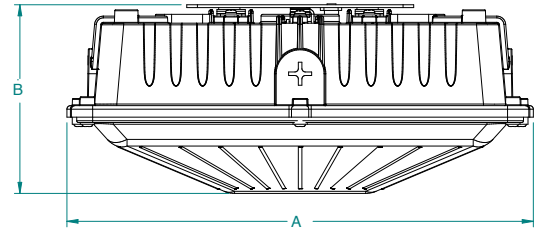
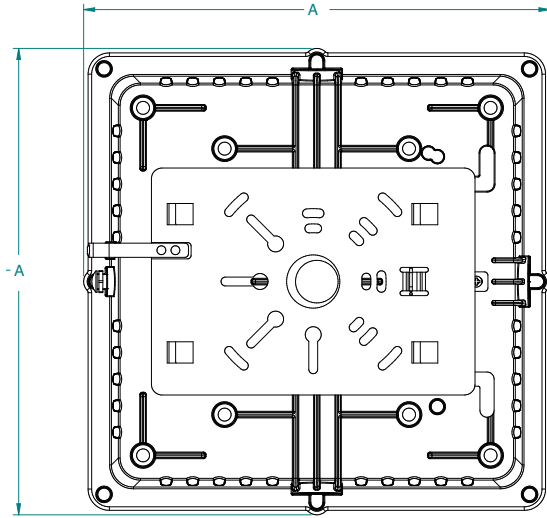
SGC-F-60-4K



SGC-F CANOPY

SLING SERIES - CEILING/SURFACE/GARAGE

DIMENSIONS



A	B	Weight
10.2" (260mm)	3.6" (91mm)	4.9lbs (2.2kg)

USE OF TRADEMARKS AND TRADE NAMES

All product and company names, logos and product identifies are trademarks™ or registered trademarks® of Hubbell Lighting, Inc. or their respective owners. Use of them does not necessarily imply any affiliation with or endorsement by such respective owners.