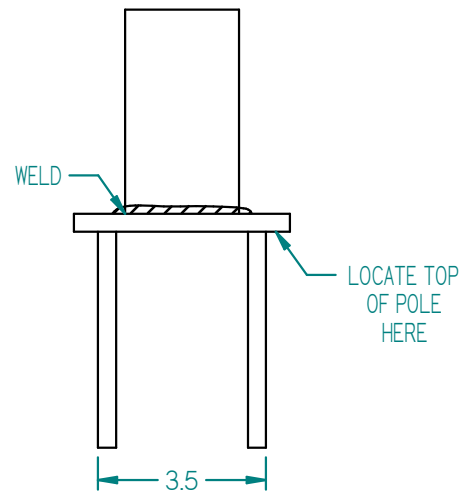
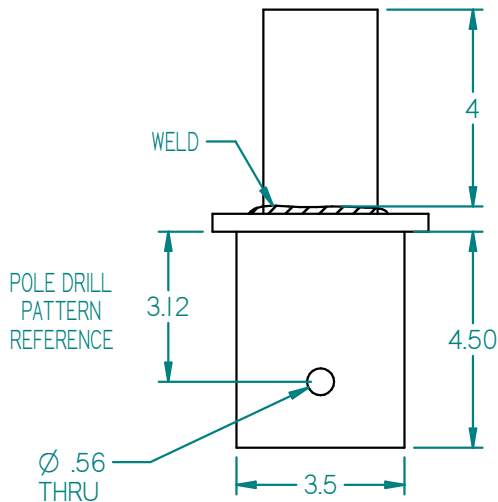
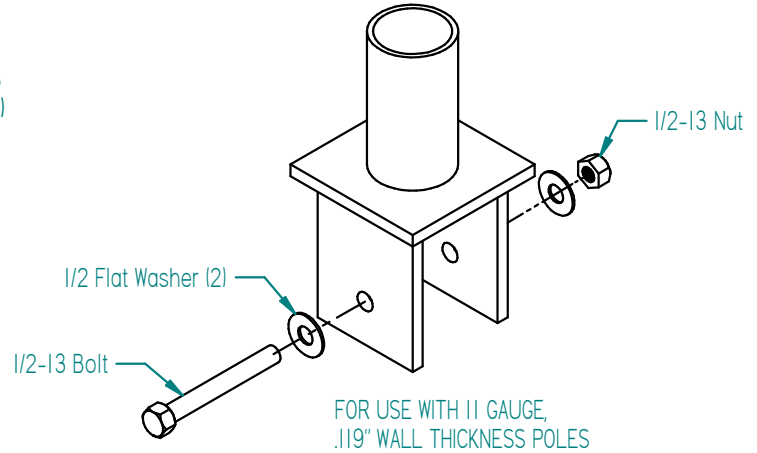
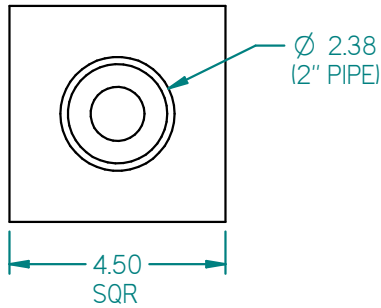


TA-4 - 4" Square Pole Tenon Adapter

TENON BRACKETS AND ARMS ACCESSORY



WARNING: To avoid damaging supply wiring, drill all necessary holes in poles, arms, or mounting brackets BEFORE pulling supply wires.



Mounting Notes:

1. Place adapter into top of square pole, locating top of pole at bottom of middle plate.
2. In case of missing holes, drill appropriately sized hole into pole at 3.12" from the top.
3. Insert bolt through pole and adapter, and secure with (1) nut and (2) flat washers.

Shipping Package Contents:

TA-4 Adapter (1)
1/2-13 Bolt (1)
1/2 Flat Washer (2)
1/2-13 Nut (1)

Material: Steel

Finish: Powder Paint

Weight: 7 lbs