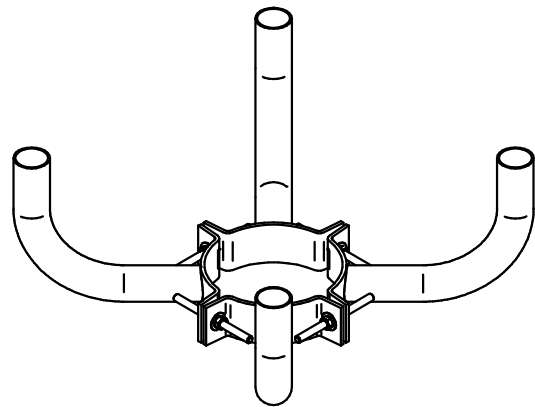
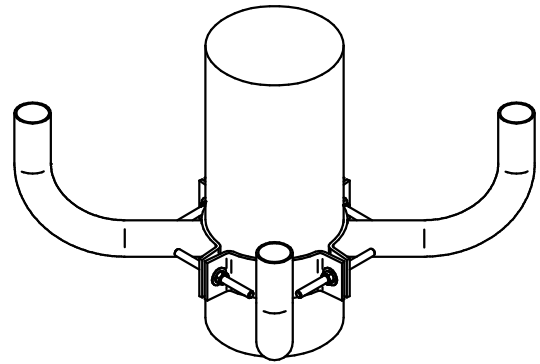
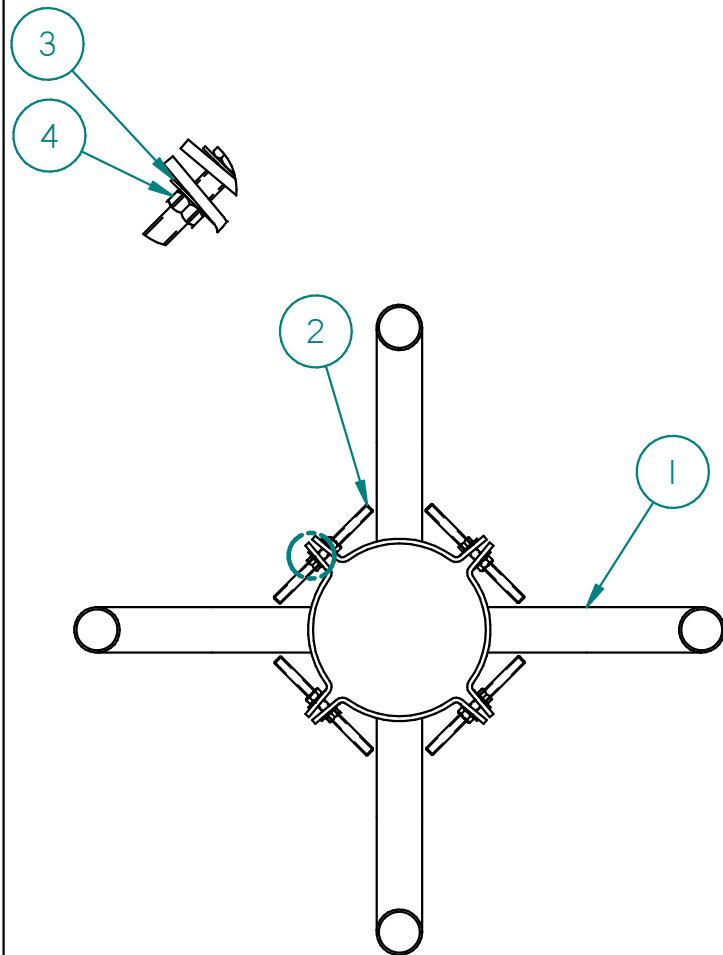


# TCB4 - 9"-12" Dia Wooden Pole Clamp - 4 Light

WALL AND POLE MOUNT ACCESSORY



## Mounting Notes:

1. Insert 1/2-13 threaded rod (2) into one side of TCB assembly bracket (1).
2. Install washer (3) and nut (4) to one end of rod. Do not tighten.
3. Slide second TCB assembly bracket (1) onto threaded rod.
4. Install washer (3) and nut (4) to other end of rod. Do not tighten.
5. Repeat steps 1 - 4 until all brackets are mounted together.
6. Secure brackets to diameter of pole by tightening all nuts (4).

## Shipping Package Contents:

TCB Bracket assembly (4)  
1/2-13 Threaded Rod-16 Nut (4)  
1/2 Flat Washer (8)  
1/2-13 Nut (8)

**Material:** Steel

**Finish:** Powder Paint

**Weight:** 36 lbs