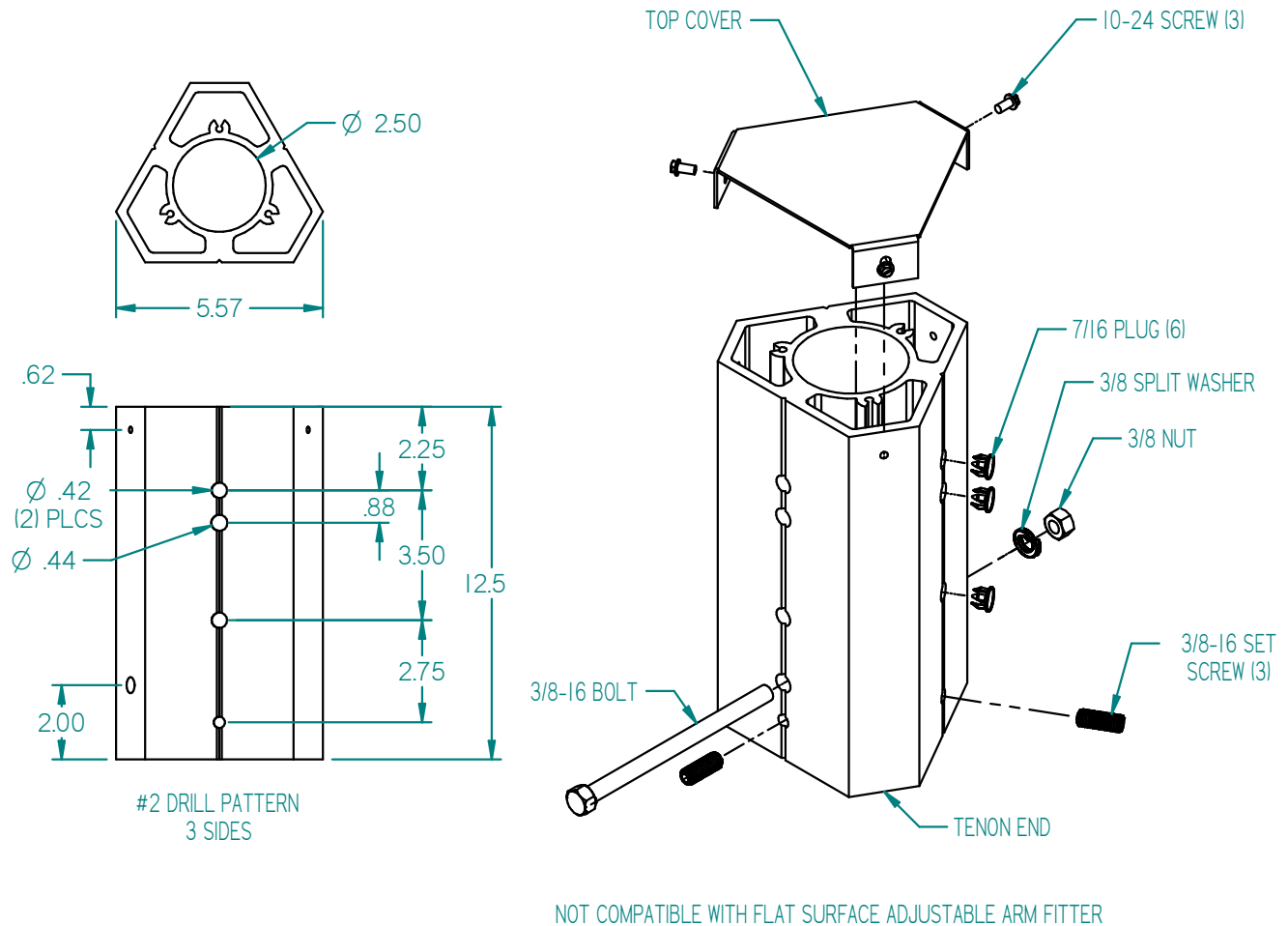


TETA - Three Fixture Tenon Adapter

TENON ADAPTERS ACCESSORY



Compatible with: RCS, RCL, CR1, CL1, ARA3, MSV



Mounting Notes:

1. Engage set-screws to adapter half way in.
2. Slip adapter to pole tenon, then tighten set-screws.
3. Mark tenon using hole "A" as guide.
4. Remove adapter from tenon.
5. Drill tenon thru walls using 7/16" (.437") diameter drill bit.
6. Install adapter back to tenon securing it with 3/8-16 thru bolt, lockwasher, and hex nut.
7. Tighten set-screws.
8. The adapter is now ready for fixture installation.
9. Install 7/16 plugs into unused holes.

Shipping Package Contents:

- TETA Tenon Adapter (1)
- Top Cover (1)
- 3/8-16 Bolt (1)
- 3/8-16 Set Screw (3)
- 3/8 Split Washer (1)
- 3/8-16 Nut (1)
- 10-24 Screw (3)
- 7/16 Plug (6)

Material: Aluminum
Finish: Powder Paint
Weight: 20 lbs
EPA: 0.55 ft²