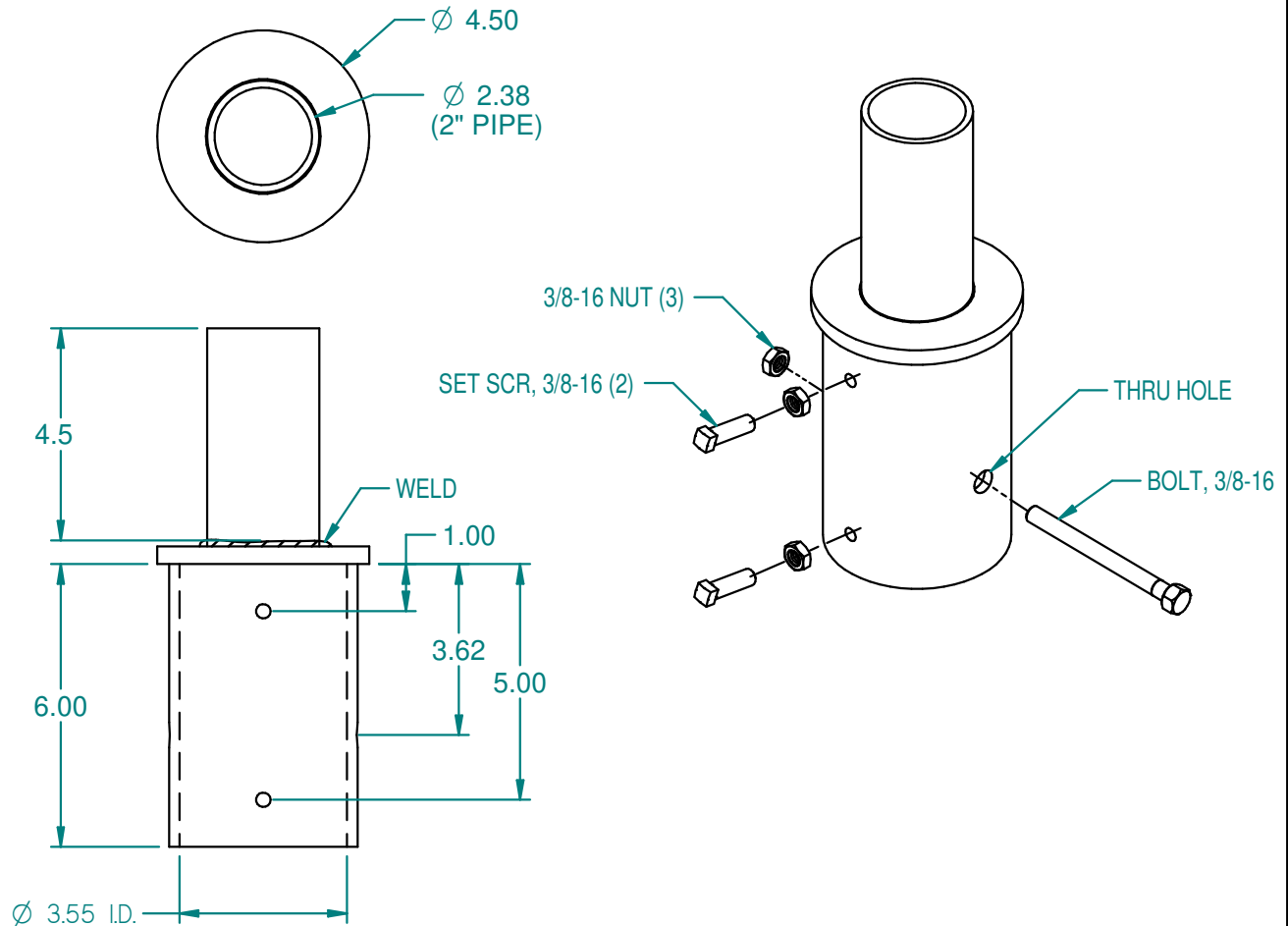


# TPR3 - 3" To 2" Pipe Tenon Reducer

TENON BRACKETS AND ARMS ACCESSORY



**WARNING:** To avoid damaging supply wiring, drill all necessary holes in poles, arms, or mounting brackets BEFORE pulling supply wires.



## Mounting Notes:

1. At top of pole, insert tenon reducer until top of pole locates at bottom of middle plate.
2. In case of missing holes, drill appropriately sized holes at distances seen in figure above to ensure access to all screws.
3. Insert 3/8-16 bolt through tenon reducer and pole, and secure with nut.
4. Install (2) nuts onto (2) 3/8-16 set screws and install through pole into adapter.
5. Tighten nuts until they meet the pole's outer surface.

## Shipping Package Contents:

TPR3 Tenon Reducer (1)  
3/8-16 Bolt (1)  
3/8-16 Nut (3)  
3/8-16 Set Screw (2)

**Material:** Steel

**Finish:** Powder Paint

**Weight:** 8 lbs