

Turf Sports Lighter

TSL - LED FLOODLIGHT

FEATURES

- Designed to efficiently light recreational, collegiate, and professional events. Arena, sign, facade, area, accent, parking lot, and general security lighting applications can also utilize the Turf Sports Lighter.
- High Lumen Outputs up to 114,000 Lumens
- Targeted for HID Replacement up to 1500W
- Yoke Mount with Single Bolt
- Up to 153 Lumens per watt (740 Watts)
- Variety of NEMA distributions: Narrow (3x3), Medium (4x4) and Wide (5x5) available in 4000K

TURF
SPORTS LIGHTER



RELATED PRODUCTS

- ⌘ [Intercept](#)
- ⌘ [Integral Luminaire](#)



SPECIFICATIONS

CONSTRUCTION

- Heavy duty die cast aluminum housing
- Light engine is thermally isolated from the driver compartment
- UV Stabilized polyester powder paint finish rated for 1000 hour salt spray
- 3G Vibration Rating
- Easy maintenance access to electrical components with removal of five screws from back of fixture housing

OPTICS

- Three available light distributions-15, 30, 60 degree
- High impact UV stabilized polycarbonate outer lens protects LEDs and allows for cleaning and debris removal

INSTALLATION

- Yoke can adjust in 5 degree increments up to 180 degrees
- EPA of front face 3, side face 12. Both EPAs calculated when aimed parallel to the field
- EPA of 2.5 when aimed 40° below horizontal
- One captive mounting bolt (3/4" dia.) utilized to install luminaire (Bolt provided by others)

ELECTRICAL

- 0-10 Volt Dimming Driver
- Dimming Drivers available for use with control devices (provided by others). Dimming leads contained in driver housing.
- Universal high voltage driver 277-480 volt 50/60Hz
- Ambient Operating Temperature -40C to 40C
- Drivers have 90% power factor and less than 20% THD
- 6kA surge protector built into driver
- 2% output current ripple at <200Hz

CERTIFICATIONS

- DLC® (DesignLights Consortium) Qualified. Please refer to the DLC website for specific product qualifications at www.designlights.org
- Listed to UL1598 for use in wet locations
- IP66 rated housing
- FCC Title 47 Part 15

WARRANTY

- 5 year limited warranty
- See [HLI Standard Warranty](#) for additional information

KEY DATA	
Lumen Range	99,531-113,205
Wattage Range	740
Efficacy Range (LPW)	135-153
Fixture Projected Life (Hours)	>60K
Weights lbs. (kg)	54.4 (24.7)

ORDERING GUIDE

STOCK ORDERING INFORMATION

Catalog Number	Mounting	CRI	CCT	Lumens	Distribution	Wattage	Voltage	LPW	Weight	Finish
TSL-720-4K-UHV-N	Yoke	70	4000K	99,531	3x3	740	277-480	135	54.4 lbs.	Light Grey
TSL-720-4K-UHV-M	Yoke	70	4000K	107,968	4x4	740	277-480	146	54.4 lbs.	Light Grey
TSL-720-4K-UHV-W	Yoke	70	4000K	113,205	5x5	740	277-480	153	54.4 lbs.	Light Grey

Turf Sports Lighter

TSL - LED FLOODLIGHT

ACCESSORIES AND REPLACEMENT PARTS - MADE TO ORDER

Catalog Number	Description
<input type="checkbox"/> VISOR-TSL SINGLE PACK	Single Turf Visor for field installation
<input type="checkbox"/> VISOR-TSL 10 PACK	Turf Visor 10 pack for field installation
<input type="checkbox"/> LASER-TSL	Turf Laser Aiming Device. Only one needed per job.
<input type="checkbox"/> 4024SLS	Slipfitter for 2" (2 3/8" OD) tenon for integral luminaires
<input type="checkbox"/> TCA-R2	Round Steel Pole Crossarm for 2 fixtures
<input type="checkbox"/> TCA-R3	Round Steel Pole Crossarm for 3 fixtures
<input type="checkbox"/> TCA-R4	Round Steel Pole Crossarm for 4 fixtures
<input type="checkbox"/> TCA-W2	Round Wood Pole Crossarm for 2 fixtures
<input type="checkbox"/> TCA-W3	Round Wood Pole Crossarm for 3 fixtures
<input type="checkbox"/> TCA-W4	Round Wood Pole Crossarm for 4 fixtures

ELECTRICAL DATA

Nominal Wattage	Input Voltage	Oper. Current (Amps)	System Power (Watts)
TSL-720W	277	2.67	712
	347	2.13	
	480	1.54	

PROJECTED LUMEN MAINTENANCE

Ambient Temperature	OPERATING HOURS					
	0	25,000	TM-21-11 36,000	50,000	100,000	L70 (Hours)
25°C / 77°F	1.00	0.96	0.94	0.91	0.81	165,000
40°C / 104°F	0.99	0.95	0.93	0.90	0.80	160,000

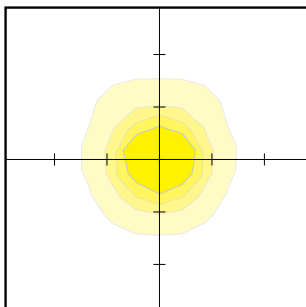
LUMINAIRE AMBIENT TEMPERATURE FACTOR (LATF)

Ambient Temperature	Lumen Multiplier
0°C / 32°F	1.03
10°C / 50°F	1.01
20°C / 68°F	1.00
25°C / 77°F	1.00
30°C / 86°F	0.99
40°C / 104°F	0.98
50°C / 122°F	0.97

Use these factors to determine relative lumen output for average ambient temperatures from 0-40°C (32-104°F).

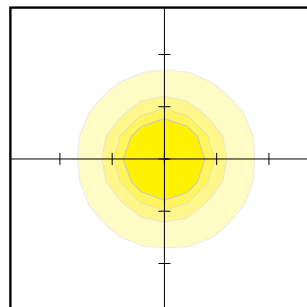
PHOTOMETRY

TSL-720-4K-UNV-N



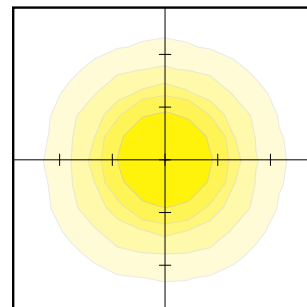
Beam Pattern: 3x3' (Narrow)
Beam Angle: 19°x19°
Mounting Height: 60ft

TSL-720-4K-UNV-M



Beam Pattern: 4x4' (Medium)
Beam Angle: 30°x30°
Mounting Height: 60ft

TSL-720-4K-UNV-W

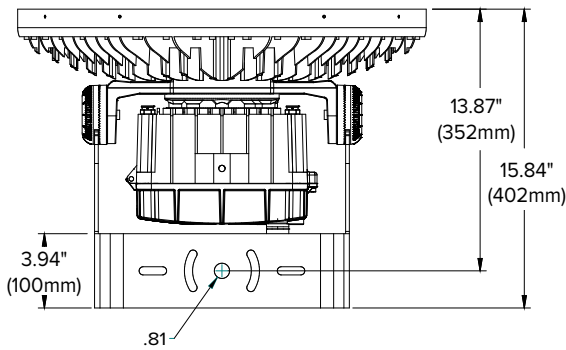
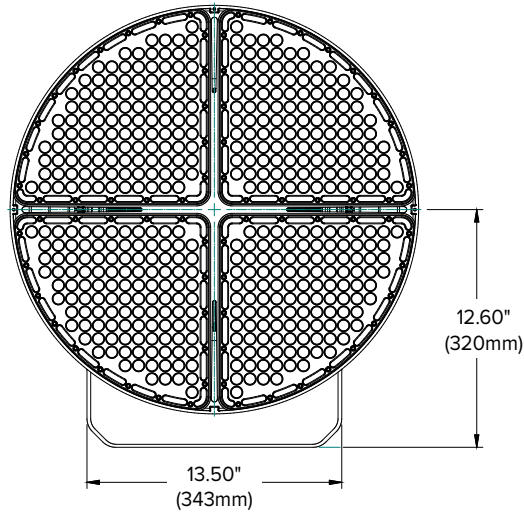
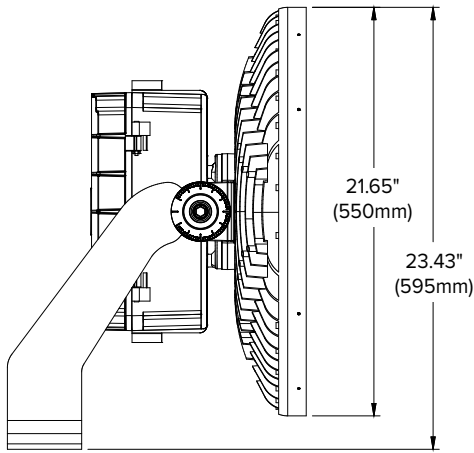


Beam Pattern: 5x5' (Medium)
Beam Angle: 30°x30°
Mounting Height: 60ft

Turf Sports Lighter

TSL - LED FLOODLIGHT

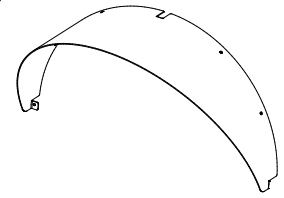
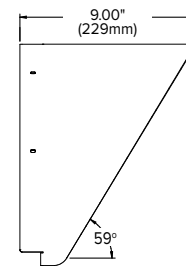
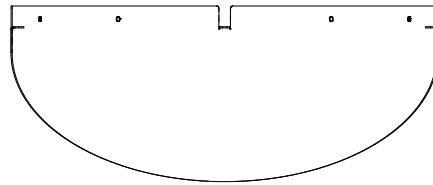
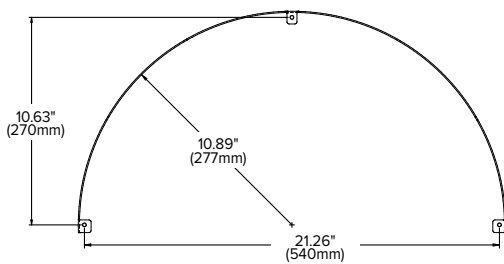
DIMENSIONS



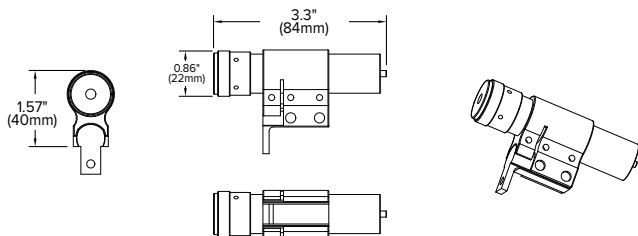
EPA	
90°	40° (downward)
3.1 EPA	2.5 EPA

DIMENSIONS (ACCESSORIES)

VISOR



LASER AIMING



Turf Sports Lighter

TSL - LED FLOODLIGHT

MOUNTING

Catalog Number	Maximum Loading		Description	Weight lbs. (kg)	EPA ft ² (m ²)
	Fixture Quantity	Weight lbs. (kg)			
Round Steel Pole - Crossarm Type – TCA-R Series - Clamps 3" to 5 1/2" dia.					
TCA-R2	2	210 (95.3)	For two fixtures	28 (12.7)	.8 (0.1)
TCA-R3 [†]	3	315 (142.9)	For three fixtures	70 (31.7)	1.6 (0.2)
TCA-R4	4	420 (190.5)	For four fixtures	106 (48)	2.5 (0.2)
Wood Pole - Crossarm Type – TCA-W Series - Thru or Lag Bolt (Not Included)					
TCA-W2	2	210 (95.3)	For two fixtures	21 (9.5)	1 (0.1)
TCA-W3 [†]	3	315 (142.9)	For three fixtures	80 (36.3)	1.8 (0.2)
TCA-W4	4	420 (190.5)	For four fixtures	106 (48)	2.4 (0.2)

1 One SLS5010 mounting bracket included

