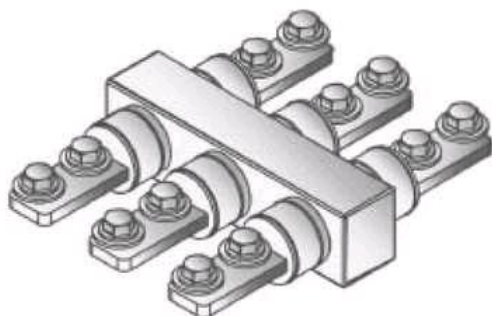


UCC-D10

by CMC
Catalog ID: UCC-D10



Submersible Connector for Direct Burial, Below-Grade Boxes, and Network Underground. For Use with Copper Compression Lugs.

- Connects copper conductors through 1000 kcmil with two-hole NEMA compression lugs.
- C3
- Committee Guide 2.5.
- Stainless steel mounting hardware included.
- Boots are watertight EPDM rubber.
- Repairs 350 kcmil down to #10 wire sizes.
- For installation CMC® recommends the use of a 9" insulated Allen wrench.
- A torque wrnch should be used to ensure the proper torque is achieved.
- TH Sleeves (sold separately) allow for a waterproof seal up to 1000 kcmil.
- Ceneterform compression lugs available in common 500, 750 and 1000 mcm.

Product Details

General

Material	Copper, Tin Plated
Number Of Outlets	10
UPC	192663116812

Dimensions

Length	15 in
Width	11 in