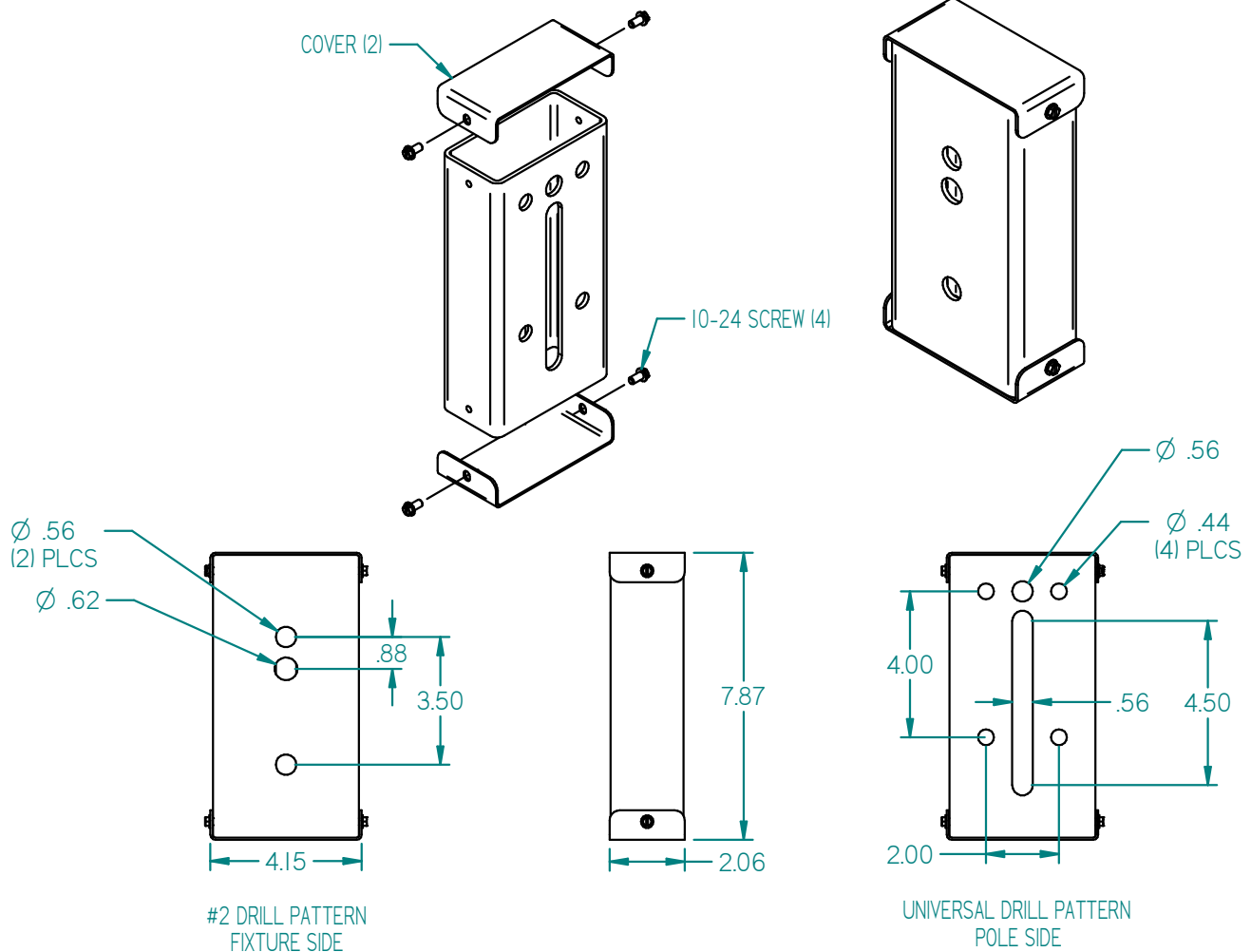


UNV-ADP - Universal Adapter

MOUNTING BRACKETS ACCESSORY



Compatible with: #1, #5, #6 Mount Fixtures & #2 pole mount



Mounting Notes:

1. Position universal adapter's pole side (labeled above) to drill pattern on pole.
2. Secure adapter to pole using the supplied hardware: (2) 3/8-16 screws, (2) 3/8 split washers, (4) 3/8 flat washers, and (2) 3/8-16 nuts.
3. Assemble fixture to universal adapter's fixture side using the supplied hardware: (2) 1/2-13 screws, (2) 1/2 flat washers, (2) 1/2 split washers, and (2) 1/2-13 nuts.
4. Install (2) covers using (4) 10-24 screws.

Shipping Package Contents:

Universal Adapter (1)
Cover (2)
1/2 Split Washer (2)
1/2 Flat Washer (2)
1/2-13 Nut (2)
1/2-13 Screw (2)
10-24 Screw (4)
3/8 Flat Washer (4)
3/8 Split Washer (2)
3/8-16 Nut (2)
3/8-16 Screw (2)

Material: Steel

Finish: Powder Paint

Weight: 5 lbs