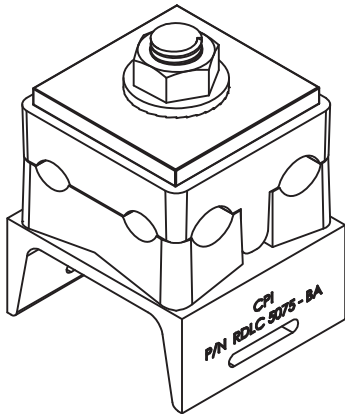
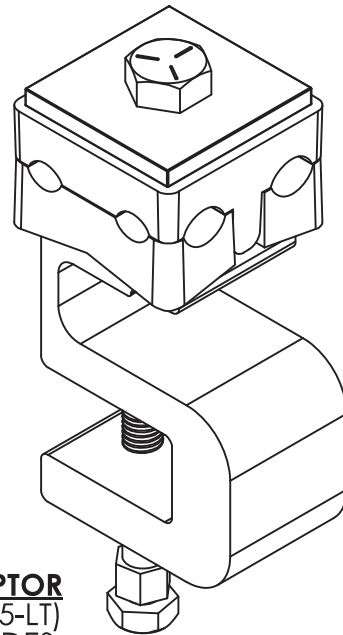


**LAG BOLT**  
(RDLC 5075-LB)  
HARDWARE INCLUDES:  
SQUARE WASHER, LAG BOLT



**BANDING ADAPTOR**  
(RDLC 5075-BA)  
HARDWARE INCLUDES:  
SQUARE WASHER, BOLT AND FLANGE HEX NUT



**LATTICE TOWER ADAPTOR**  
(RDLC 5075-LT)  
HARDWARE INCLUDES:  
TOWER ADAPTOR, SHEAR BOLT, SQUARE WASHER AND BOLT

CATALOG #	RANGE	
	SIDE A	SIDE B
RDLC 5075		
RDLC 5075-BA	.500" - .625"	.625" - .750"
RDLC 5075-LT		
RDLC 5075-LB		

Please consult factory for wire sizes not listed here