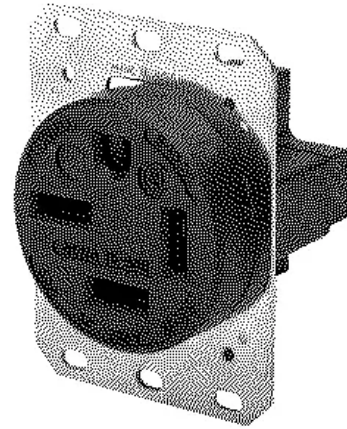


HUBBELL
Wiring Device-Kellems

**Straight Blade Devices,
Receptacles, Flush Receptacle,
Industrial Grade, 3-Pole 4-Wire
Grounding, 50A 3 Phase 250V AC,
15-50R, Black, Single Pack**

By Hubbell Wiring Device-Kellems
Catalog # [HBL8450A](#)

Straight Blade Devices, Receptacles, Flush Receptacle, Industrial
Grade, 3-Pole 4-Wire Grounding, 50A 3 Phase 250V AC, 15-50R,
Black, Single Pack.



Performance

- Electrical - Current Interrupting - Certified for current interrupting at full rated current
- Electrical - Dielectric Voltage - Withstands 2,000V minimum
- Environmental - Flammability - UL 94 V-0
- Environmental - IP Suitability - IP20
- Environmental - Operating Temperatures - Maximum continuous 75°C, minimum -40°C (w/o impact)
- Mechanical - Product Identification - Ratings are a permanent part of the device
- Mechanical - Terminal Accommodation - #12 AWG through #4 AWG copper wire only
- Mechanical - Terminal Identification - Terminals identified in accordance with UL 498 and CSA

General

Catalog Number	HBL8450A
Color	Noir
EU RoHS Indicator	Yes
Environmental Conditions	Indoor Dry Unless Protected By Additional Means
Horsepower - Maximum	7.5
Item Type	Single
Material	Thermoplastic/Composite
Material - Mounting Hardware	Screw Mounting
Number Of Poles	3-Pole
Operating Temperature	Maximum continuous 75°C and minimum -40°C without Impact
Specifications	<ul style="list-style-type: none">• Box Terminals - Copper• Contacts - Brass• Ground Shunt - Brass• Housing - Reinforced Thermoplastic Polyester• Mounting Plate - .062 in. (1.5) Pre-Plated Steel
UPC	783585015156

Dimensions

Display Size	Standard Sized Product
Length	3.28 in
Weight	0.6 lb
Width	1.81 in

Electrical Ratings

Amperage Rating	50 A
Connectivity	Back and Side Wired Screw Terminals
Current / Amperage Rating	50 A
Current Rating	50 A
Dielectric Strength	Withstands 2,000V minimum
Phase	Three Phase
Voltage Rating	250 VAC
Voltage Rating Description	250 VAC
Wattage	12500 W

Conductor Related

Number Of Wires	4-Wire
Wire Size	#12 AWG to #6 AWG

Certifications And Compliance

Industry Standard(s)	<ul style="list-style-type: none">• CSA Certified• NEMA® WD-6 Compliant• UL Listed File E2186
Nema Rating	15-50R

Logistics

Carton Quantity	5
Pallet Quantity	1800

Product Assets

[Catalogs - WDK Catalog Full 2024](#)
[Specifications - HBL8450A](#)
[Warranty - Industrial & Commercial Products](#)

