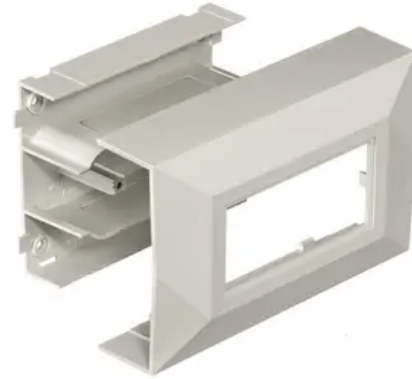


Non-Metallic Raceway, BaseTrak Series, 1- Gang Inline Device Box

By Hubbell Wiring Device-Kellems
Catalog # [PB3IND](#)



Non-Metallic Raceway, BaseTrak Series, 1-Gang Inline Device Box

Performance

- Environmental - Flame Rating - UL94V-0
- Environmental - Temperature Range - -25.6° to 158° F

General

Catalog Number	PB3IND
Color	Office White
EU RoHS Indicator	Contact Manufacturer
Item Type	PB3 BaseTrak Series
Number of Gang(s)	1-Gang
Series	PB3
Specifications	<ul style="list-style-type: none">• Crush Resistance - 300 lbs.• Impact Resistance - 5 ft. lbs.• Material - UV Stabilized PVC
Style	In-Line
Type	Boxes
UPC	783585090863

Certifications And Compliance

Industry Standard(s)	<ul style="list-style-type: none">• CSA Standard C22.2 no. 62• E118895 / E119190• UL Standard UL 5A
Standards - RoHS Compliance Status	CM

Logistics

Carton Quantity	10
Pallet Quantity	320

Product Assets

[Catalogs - WDK Catalog Full 2024](#)
[Specifications - PB3IND](#)
[Warranty - Industrial & Commercial Products](#)