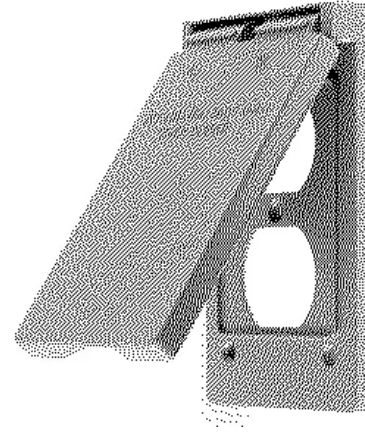


Wallplates and Boxes, Weatherproof Covers, 1-Gang, Duplex Opening, Vertical, Gray

By Hubbell Wiring Device-Kellems
Catalog # [RW51470](#)



Wallplates and Boxes, Weatherproof Covers, 1-Gang, Duplex
Opening, Vertical, Gray

Features

- 1-Gang
- Duplex Opening
- Vertical

Application

1) Duplex

General

Catalog Number	RW51470
Color	Gray
Construction	Cast
EU RoHS Indicator	No
Item Type	Weatherproofing Covers
Knockouts	None
Material - Mounting Hardware	Standard Box Mount- Mounting Screws
Number Of Outlets	1-Device
Number of Gang(s)	1-Gang
Specifications	<ul style="list-style-type: none">• Gasket - Foam• Material - Zinc, painted gray

- Mounting Screws - Zinc
plated steel
- Style
Type
UPC
- Vertical Mount Duplex
Weatherproof Covers
883778119521

Dimensions

Display Size 1-Gang

Certifications And Compliance

Industry Standard(s) UL Listed

Logistics

Carton Quantity 24
Pallet Quantity 4464

Product Assets

[Catalogs - WDK Catalog Full 2024](#)
[Specifications - RW51470](#)
[Warranty - tradeSELECT™ and netSELECT®](#)